

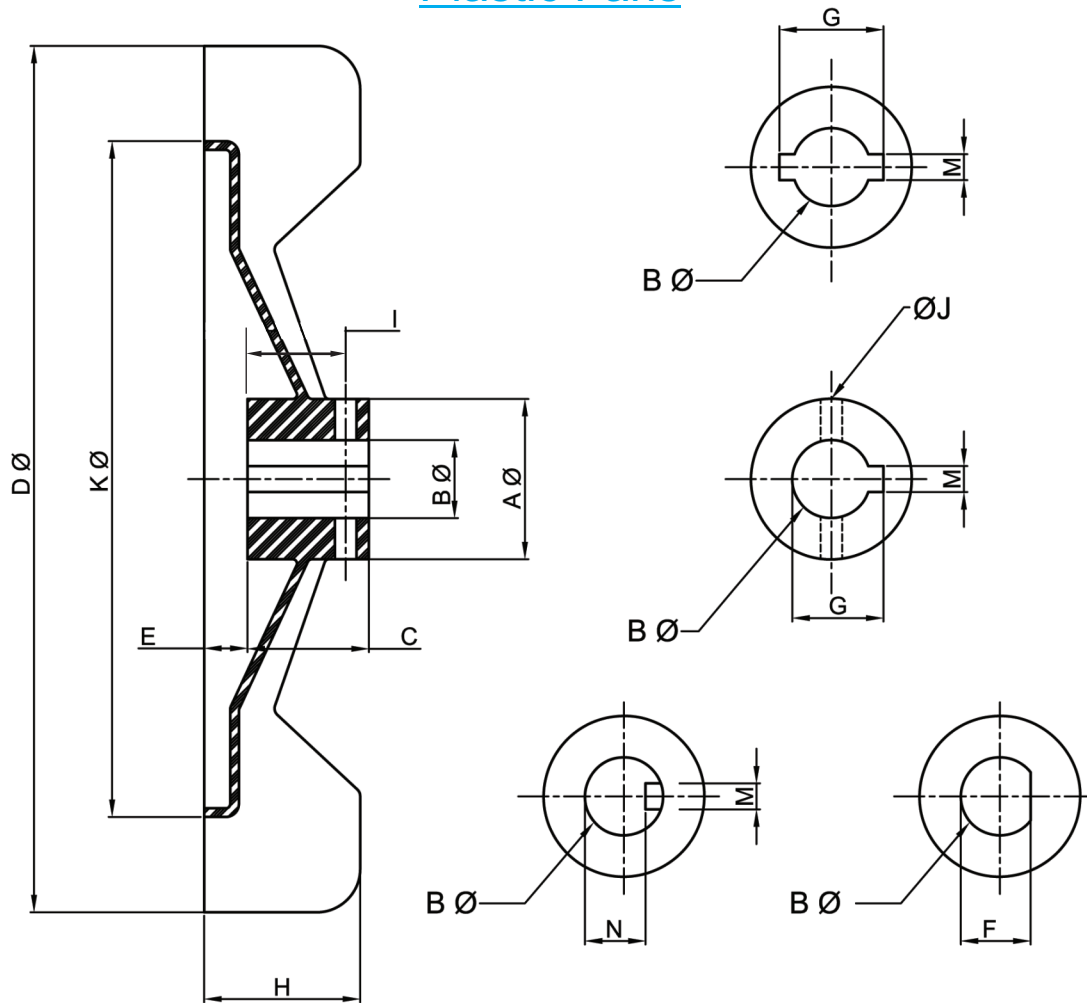


FOREMOST INDUSTRIAL PRODUCTS

INDEX

• Plastic Fans	1
• Terminal Blocks	19
• Shorting Links	35
• Centrifugal Switches	36
• M.S. Fan Covers	39
• Special Fan Covers	42
• M.S. Terminal Boxes	43
• Plastic Terminal Boxes	46
• Pump Parts	48
• Special Plastic Fans	49
• PDC Aluminium Bodies	54

Plastic Fans



REFERENCE ABBREVIATIONS

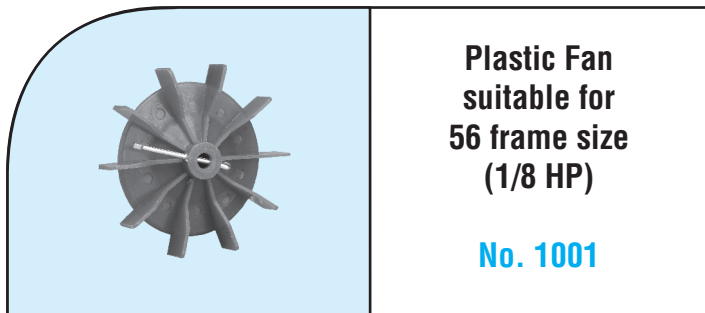
A	BOSS DIAMETER	K	DIAMETER WITHOUT FINES
B	BORE DIAMETER	M	WIDTH OF KEY WAY SLOT
C	BORE LENGTH	B1	ALTERNATE BORE SIZE
D	OUT SIDE DIAMETER	I	DISTANCE OF COTTER PIN FROM FACE OF BOSS
E	DISTANCE FROM THE FACE OF THE FAN TO THE BOSS	F	DISTANCE OF FLATTEND BORE
H	HEIGHT OF THE FAN BLADES	G	DISTANCE BETWEEN KEYWAYS BORE TO KEYWAY
J	COTTER PIN HOLE DIAMETER/ TAPPED HOLE	N	DISTANCE BETWEEN KEYWAY SLOT TO BORE

NOTE:

- ALL DIMENSIONS ARE IN MM.
- PHOTOGRAPHS NOT TO SCALE.
- WE RESERVE THE RIGHT TO CHANGE AND MODIFY SPECIFICATIONS WITHOUT PRIOR NOTICE.
- ITEMS MISSING IN THE SERIAL ORDER HAVE BEEN DISCONTINUED.

FOREMOST INDUSTRIAL PRODUCTS

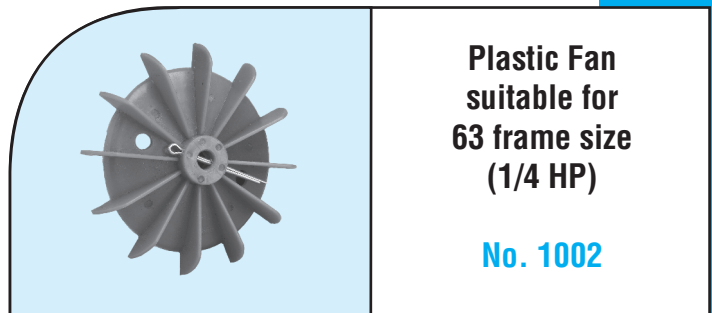
Plastic Fans



Plastic Fan
suitable for
56 frame size
(1/8 HP)

No. 1001

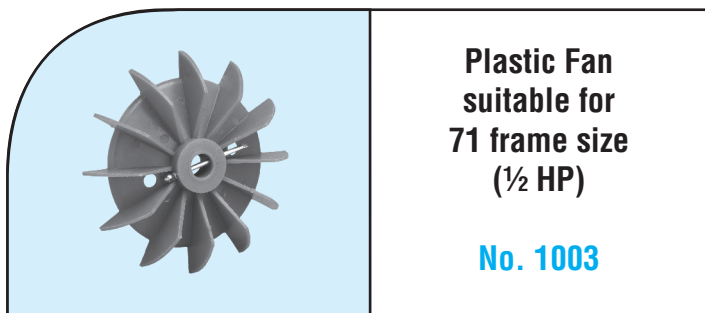
DRG. NO.	AØ	BØ	B1	C	DØ	E	H	I	JØ	NO OF BLADES	KØ
56-01-001	19	8	9, 11	14	100	5	18	10	3	10	79



Plastic Fan
suitable for
63 frame size
(1/4 HP)

No. 1002

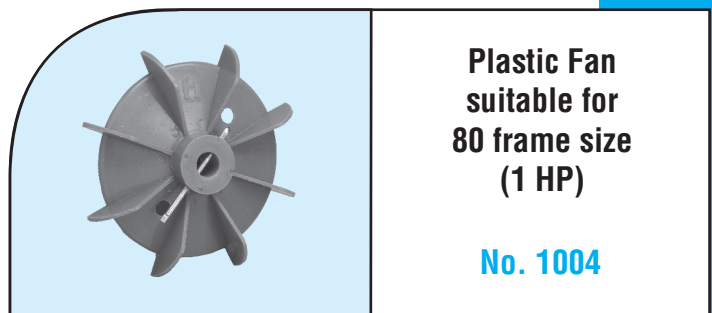
DRG. NO.	AØ	BØ	B1	C	DØ	E	H	I	JØ	NO OF BLADES	KØ
63-01-002	23	9	12, 14	12	111	8	19	9	3	12	88



Plastic Fan
suitable for
71 frame size
(1/2 HP)

No. 1003

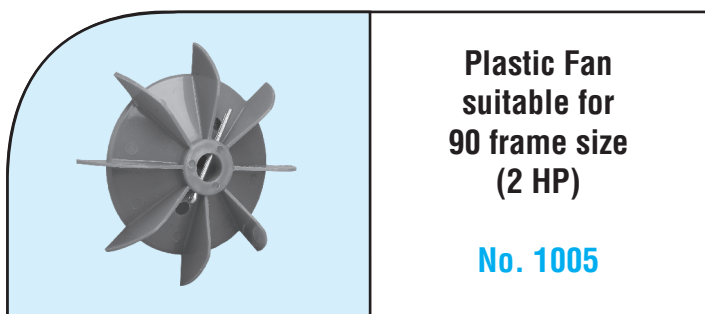
DRG. NO.	AØ	BØ	B1	C	DØ	E	H	I	JØ	NO OF BLADES	KØ
71-01-003	30	9	12,14, 15,16,19	17	128	5	30.5	12	3	12	97



Plastic Fan
suitable for
80 frame size
(1 HP)

No. 1004

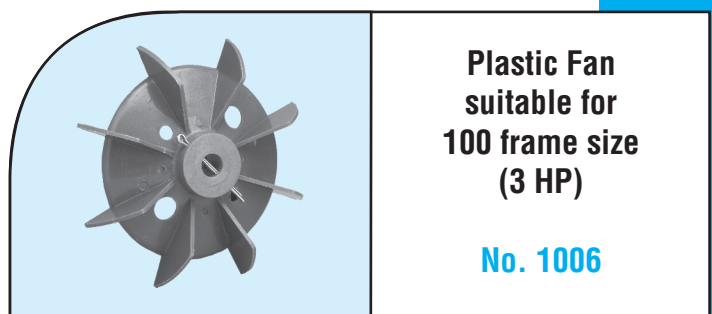
DRG. NO.	AØ	BØ	B1	C	DØ	E	H	I	JØ	NO OF BLADES	KØ
80-01-004	35	15	16,19, 5/8",24	20	146	5	28	13	4	8	118



Plastic Fan
suitable for
90 frame size
(2 HP)

No. 1005

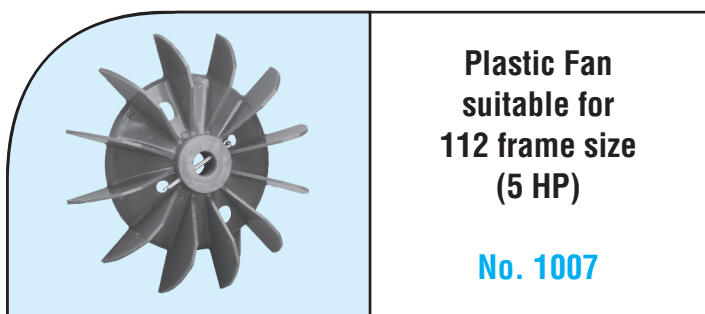
DRG. NO.	AØ	BØ	B1	C	DØ	E	H	I	JØ	NO OF BLADES	KØ
90-01-005	37	16	17,19, 22	19	165	11	37	14	4	8	122



Plastic Fan
suitable for
100 frame size
(3 HP)

No. 1006

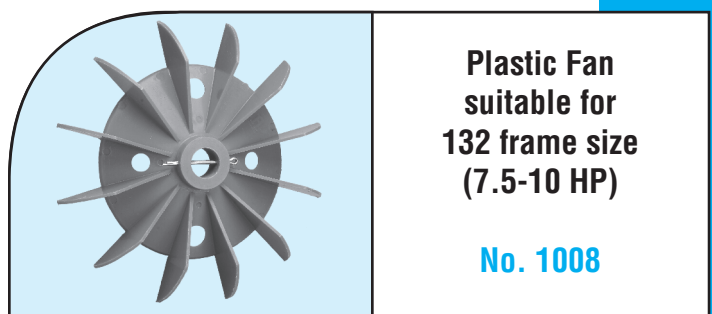
DRG. NO.	AØ	BØ	B1	C	DØ	E	H	I	JØ	NO OF BLADES	KØ
100-01-006	44	16	19,20,22, 25,26,28	25	179	9	41	19	4	8	135



Plastic Fan
suitable for
112 frame size
(5 HP)

No. 1007

DRG. NO.	AØ	BØ	B1	C	DØ	E	H	I	JØ	NO OF BLADES	KØ
112-01-007	44	19	20,22,24, 25,26,28	25	210	8	47	19	4	12	140



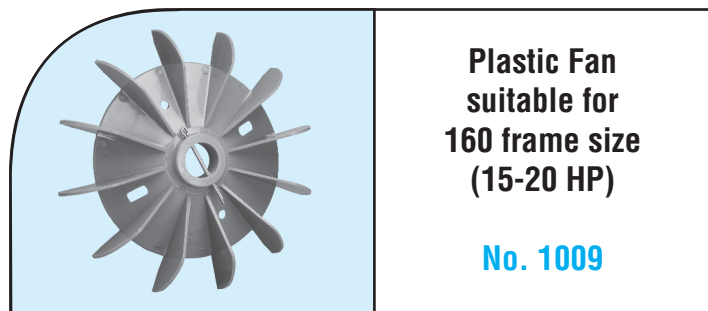
Plastic Fan
suitable for
132 frame size
(7.5-10 HP)

No. 1008

DRG. NO.	AØ	BØ	B1	C	DØ	E	H	I	JØ	NO OF BLADES	KØ
132-01-008	44	25	26,28,30	24	244	8	46	18	4	12	166

FOREMOST INDUSTRIAL PRODUCTS

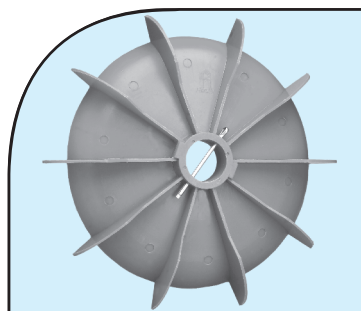
Plastic Fans



Plastic Fan
suitable for
160 frame size
(15-20 HP)

No. 1009

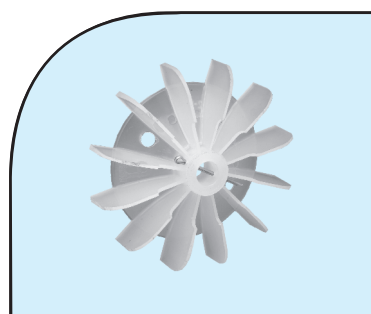
DRG. NO.	AØ	BØ	B1	C	DØ	E	H	I	JØ	NO OF BLADES	KØ
160-01-009	57	38	28,30	30	296	22	70	24	5	12	216



Plastic Fan
suitable for
180 frame size
(30-40 HP)

No. 1010

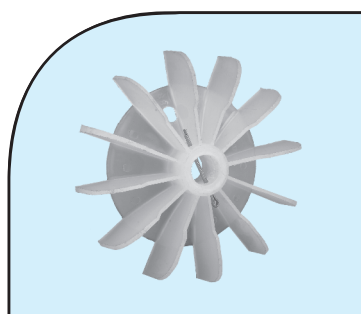
DRG. NO.	AØ	BØ	B1	C	DØ	E	H	I	JØ	NO OF BLADES	KØ
180-01-010	60	45	50	36	336	18	61	26	5	10	279



Plastic Fan
suitable for
P-80 frame size
(1 HP)

No. 1011

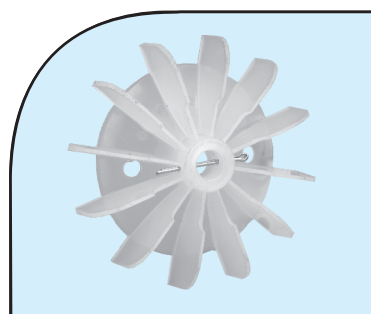
DRG. NO.	AØ	BØ	B1	C	DØ	E	H	I	JØ	NO OF BLADES	KØ
80-02-011	29	15	16,19	24	140	9	35	16.5	3	12	107



Plastic Fan
suitable for
P-90 frame size
(2 HP)

No. 1012

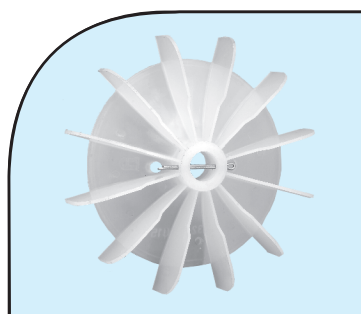
DRG. NO.	AØ	BØ	B1	C	DØ	E	H	I	JØ	NO OF BLADES	KØ
90-02-012	32	16	19,22	28	150	9	40	19	3	12	106



Plastic Fan
suitable for
P-100 frame size
(3 HP)

No. 1013

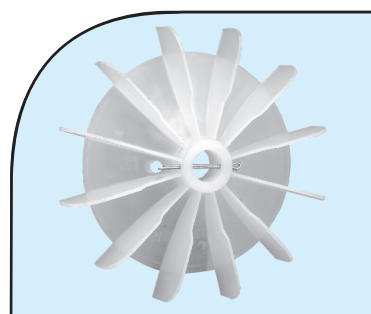
DRG. NO.	AØ	BØ	B1	C	DØ	E	H	I	JØ	NO OF BLADES	KØ
100-02-013	38	16	19,22, 25,28	25	180	15	40	15	4	12	140



Plastic Fan
suitable for
P-112 frame size
(5 HP)

No. 1014

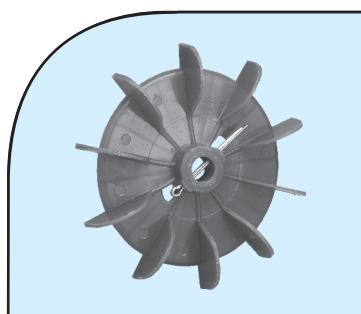
DRG. NO.	AØ	BØ	B1	C	DØ	E	H	I	JØ	NO OF BLADES	KØ
112-02-014	38	19	18,22, 25,28	25	190	16	42	15	4	12	150



Plastic Fan
suitable for
P-132 frame size
(7.5-10 HP)

No. 1015

DRG. NO.	AØ	BØ	B1	C	DØ	E	H	I	JØ	NO OF BLADES	KØ
132-02-015	42	25	28,29, 30,33	30	225	10.5	47	23	4	12	180



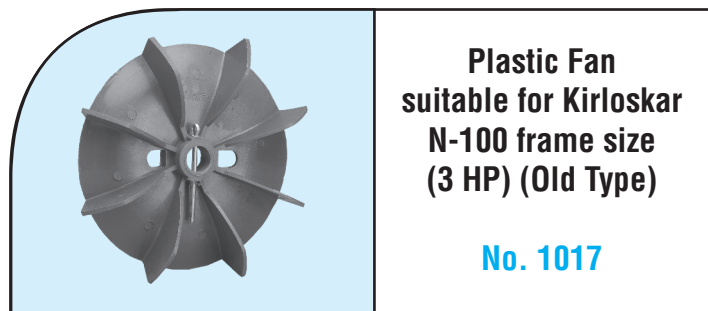
Plastic Fan
suitable for Kirloskar
N-90 frame size
(2 HP) (Old Type)

No. 1016

DRG. NO.	AØ	BØ	B1	C	DØ	E	H	I	JØ	NO OF BLADES	KØ
90-03-016	29	18	16	16	156	4	29	10.5	4	10	125

FOREMOST INDUSTRIAL PRODUCTS

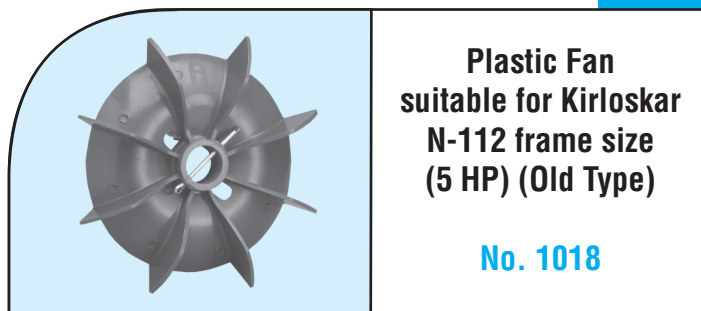
Plastic Fans



Plastic Fan
suitable for Kirloskar
N-100 frame size
(3 HP) (Old Type)

No. 1017

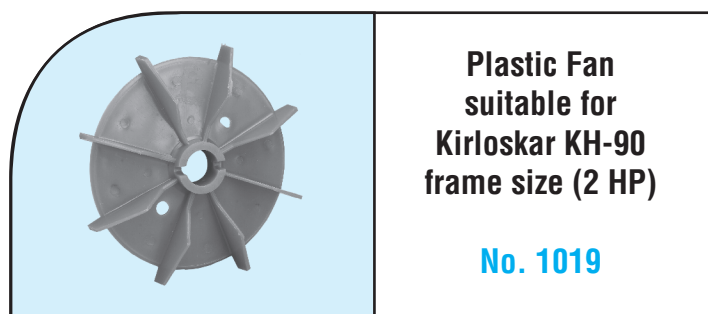
DRG. NO.	AØ	BØ	B1	C	DØ	E	H	I	JØ	NO OF BLADES	KØ
100-03-017	27.5	18	-	18	179	4.5	44	13	4	8	156



Plastic Fan
suitable for Kirloskar
N-112 frame size
(5 HP) (Old Type)

No. 1018

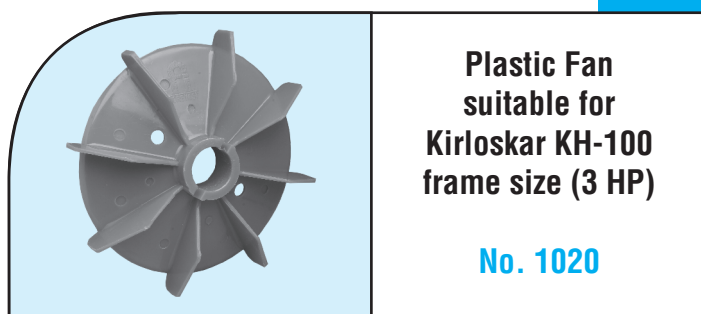
DRG. NO.	AØ	BØ	B1	C	DØ	E	H	I	JØ	NO OF BLADES	KØ
112-03-018	37	28	-	25	200	4	48	18	4	8	163



Plastic Fan
suitable for
Kirloskar KH-90
frame size (2 HP)

No. 1019

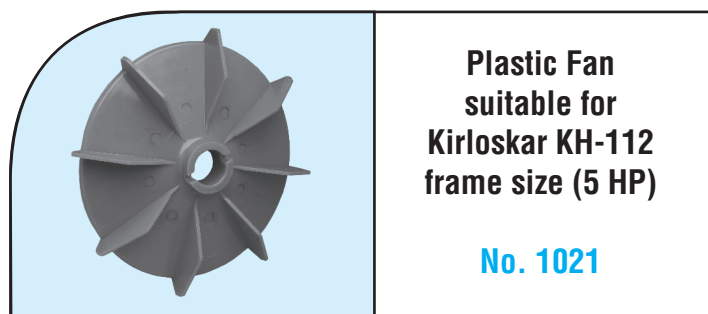
DRG. NO.	AØ	BØ	B1	C	DØ	E	H	I	JØ	NO OF BLADES	KØ
90-04-019	33.5	24	18	19.5	161	2	32	12	5	8	140



Plastic Fan
suitable for
Kirloskar KH-100
frame size (3 HP)

No. 1020

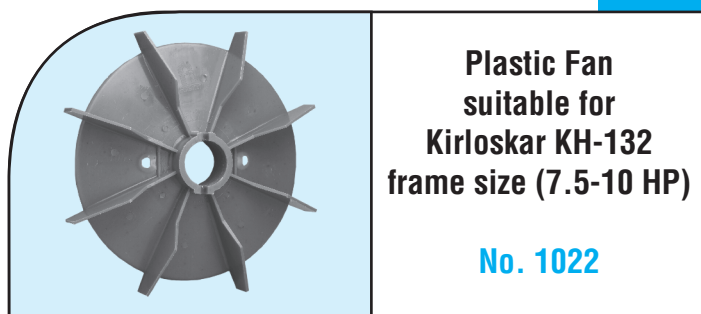
DRG. NO.	AØ	BØ	B1	C	DØ	E	H	I	JØ	NO OF BLADES	KØ
100-04-020	39	28	18	24	175	9	39	15	5	8	152



Plastic Fan
suitable for
Kirloskar KH-112
frame size (5 HP)

No. 1021

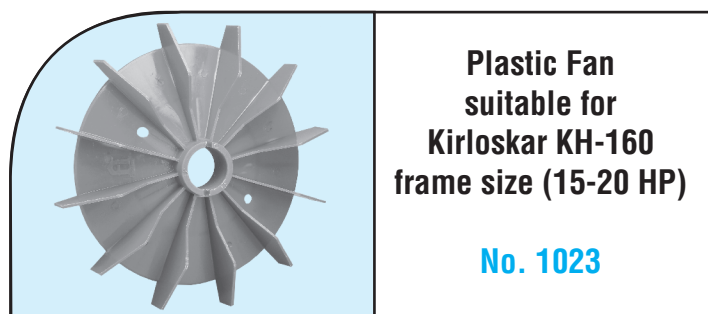
DRG. NO.	AØ	BØ	B1	C	DØ	E	H	I	JØ	NO OF BLADES	KØ
112-04-021	39	28	18	24	200	5	42.5	15	5	8	180



Plastic Fan
suitable for
Kirloskar KH-132
frame size (7.5-10 HP)

No. 1022

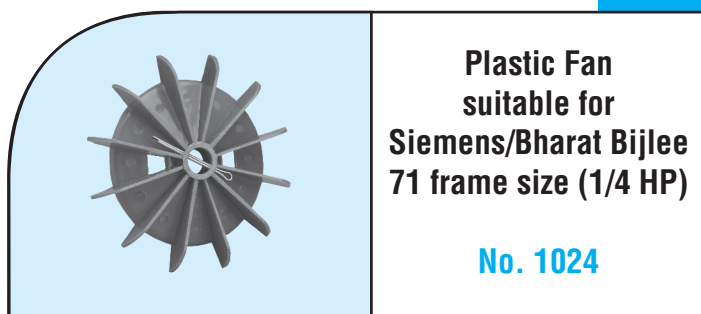
DRG. NO.	AØ	BØ	B1	C	DØ	E	H	I	JØ	NO OF BLADES	KØ
132-03-022	48	38	32,35	30	241	8	47	20	6	8	206



Plastic Fan
suitable for
Kirloskar KH-160
frame size (15-20 HP)

No. 1023

DRG. NO.	AØ	BØ	B1	C	DØ	E	H	I	JØ	NO OF BLADES	KØ
160-02-023	54	42	38,40	34	289	12	61	23	7	12	241



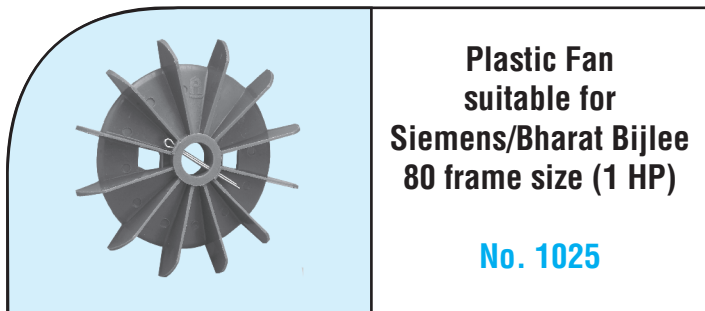
Plastic Fan
suitable for
Siemens/Bharat Bijlee
71 frame size (1/4 HP)

No. 1024

DRG. NO.	AØ	BØ	B1	C	DØ	E	H	I	JØ	NO OF BLADES	KØ
71-02-024	21	15	14	15	127	4	21	12	3	12	96

FOREMOST INDUSTRIAL PRODUCTS

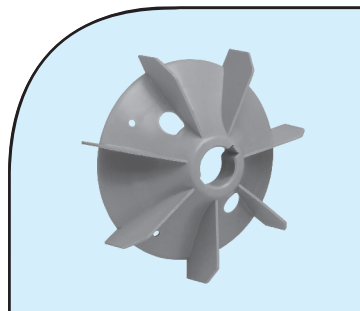
Plastic Fans



**Plastic Fan
suitable for
Siemens/Bharat Bijlee
80 frame size (1 HP)**

No. 1025

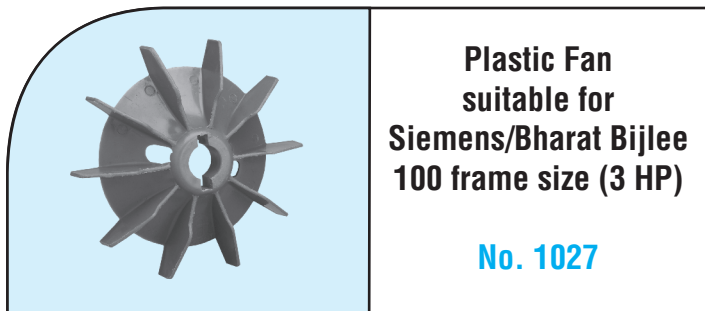
DRG. NO.	AØ	BØ	B1	C	DØ	E	H	I	JØ	NO OF BLADES	KØ
80-03-025	29	19	15	15.5	137	4.5	25	12	3	12	105



**Plastic Fan
suitable for
Bharat Bijlee
90 frame size (2 HP)**

No. 1026

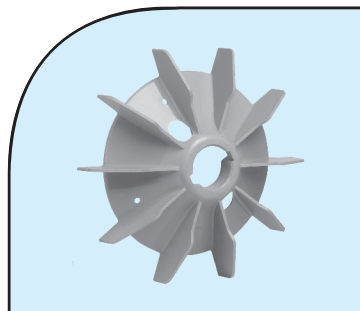
DRG. NO.	A	B	B1	C	D	E	H	G	M	NO OF BLADES	KØ
90-05-026	38	24.5	-	19.5	150	20	37	34	7.8	7	125



**Plastic Fan
suitable for
Siemens/Bharat Bijlee
100 frame size (3 HP)**

No. 1027

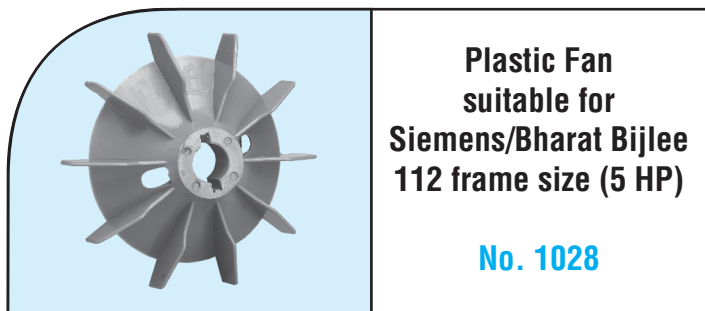
DRG. NO.	AØ	BØ	B1	C	DØ	E	H	G	M	NO OF BLADES	KØ
100-05-027	47	24	28	17.5	171	20	38	37	8	10	129



**Plastic Fan
suitable for
Bharat Bijlee
100 frame size (3 HP)**

No. 1027-B

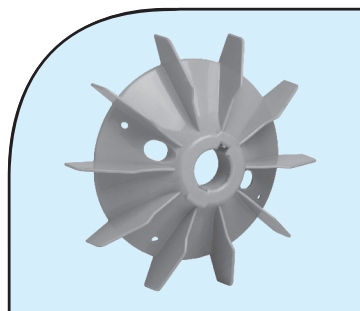
DRG. NO.	A	B	B1	C	D	E	H	G	M	NO OF BLADES	KØ
100-05-027	45	29.5	-	17.5	171	21	39	39	7.8	10	131



**Plastic Fan
suitable for
Siemens/Bharat Bijlee
112 frame size (5 HP)**

No. 1028

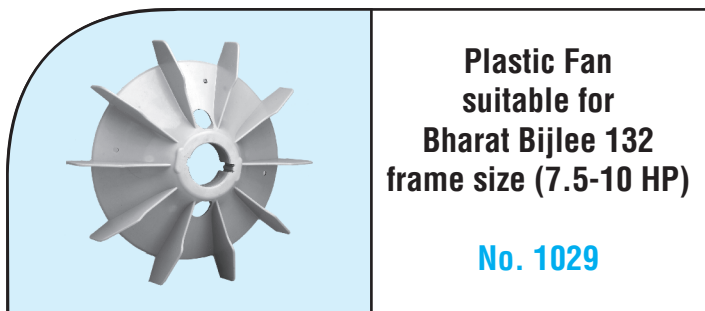
DRG. NO.	AØ	BØ	B1	C	DØ	E	H	G	M	NO OF BLADES	KØ
112-05-028	52	28	-	25	196	21	42	40	7	10	154



**Plastic Fan
suitable for
Bharat Bijlee
112 frame size (5 HP)**

No. 1028-A

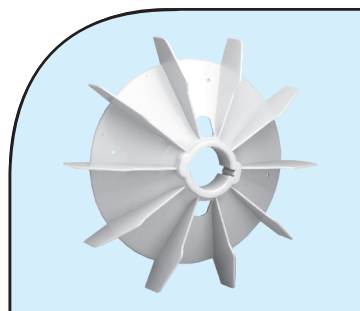
DRG. NO.	A	B	B1	C	D	E	H	G	M	NO OF BLADES	KØ
112-05-028	55	29.5	-	25	197	20	44.5	39	7.8	10	151



**Plastic Fan
suitable for
Bharat Bijlee 132
frame size (7.5-10 HP)**

No. 1029

DRG. NO.	AØ	BØ	B1	C	DØ	E	H	G	M	NO OF BLADES	KØ
132-04-029	60	40	-	27	235	28	53.5	49	7.8	10	186.5



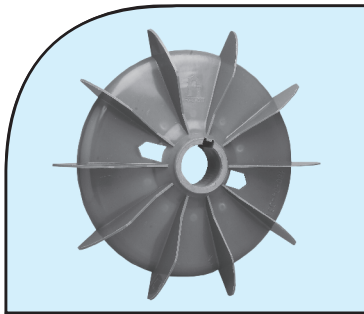
**Plastic Fan
suitable for
Bharat Bijlee 160
frame size (15-20 HP)**

No. 1030

DRG. NO.	AØ	BØ	B1	C	DØ	E	H	G	M	NO OF BLADES	KØ
160-03-030	60	45	-	35	285	30	63.5	54	7.8	10	221.5

FOREMOST INDUSTRIAL PRODUCTS

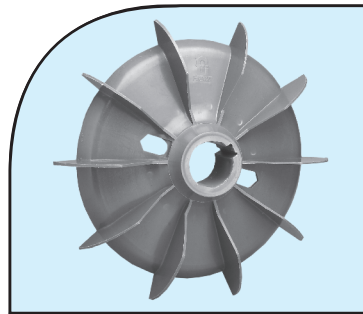
Plastic Fans



**Plastic Fan
suitable for Siemens
160 frame size
(15-20 HP) (New Type)**

No. 1031

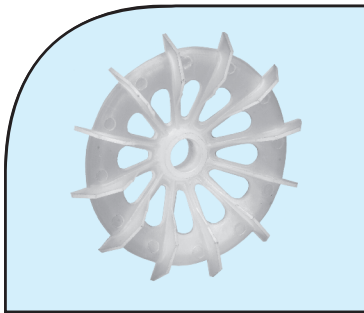
DRG. NO.	AØ	BØ	B1	C	DØ	E	H	G	M	NO OF BLADES	KØ
160-04-031	54	42	44	40.5	276	1	51.5	46	12	10	225



**Plastic Fan
suitable for
Siemens 180
frame size (30-40 HP)**

No. 1032

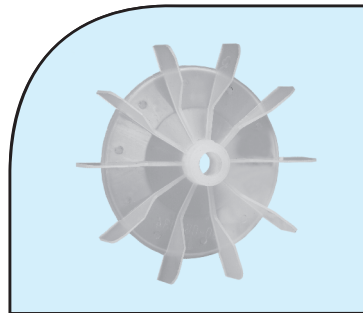
DRG. NO.	AØ	BØ	B1	C	DØ	E	H	G	M	NO OF BLADES	KØ
180-02-032	67	48	-	51	310	3	60	53	14	10	257



**Plastic Fan
suitable for
Crompton Rotor Fan
(Inner Fan)**

No. 1033

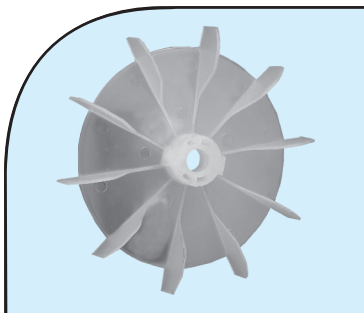
DRG. NO.	AØ	BØ	B1	C	DØ	E	H	I	JØ	NO OF BLADES	KØ
RF-01-033	29	17	18, 19, 22,	17	135	35.5	15	8	2 BA	12	116



**Plastic Fan
suitable for
Crompton B-50 TF
(Outer Fan)**

No. 1034

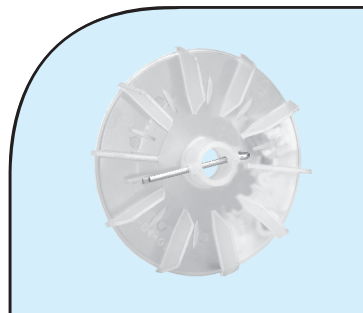
DRG. NO.	AØ	BØ	B1	C	DØ	E	H	I	JØ	NO OF BLADES	KØ
90-06-034	28	16	-	19	160	9.5	28	13	2 BA	10	126



**Plastic Fan
suitable for
Crompton 100 S**

No. 1035

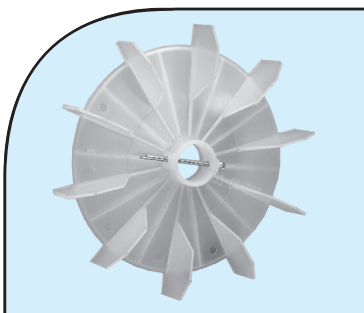
DRG. NO.	AØ	BØ	B1	C	DØ	E	H	I	JØ	NO OF BLADES	KØ
100-06-035	34	16	19	20	182	10	32	12	2 BA	10	152



**Plastic Fan
suitable for
Crompton ND-80
frame size (1 HP)**

No. 1036

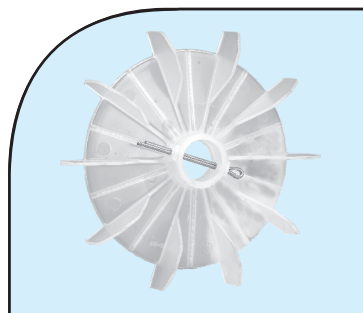
DRG. NO.	AØ	BØ	B1	C	DØ	E	H	I	JØ	NO OF BLADES	KØ
80-04-036	25	19	15,16	20.5	135	2	23	13	4	10	130



**Plastic Fan
suitable for
Crompton ND-90
frame size (2 HP)**

No. 1037

DRG. NO.	AØ	BØ	B1	C	DØ	E	H	I	JØ	NO OF BLADES	KØ
90-07-037	31	24	16, 19	18.5	155	4	30.5	10.5	4	10	127



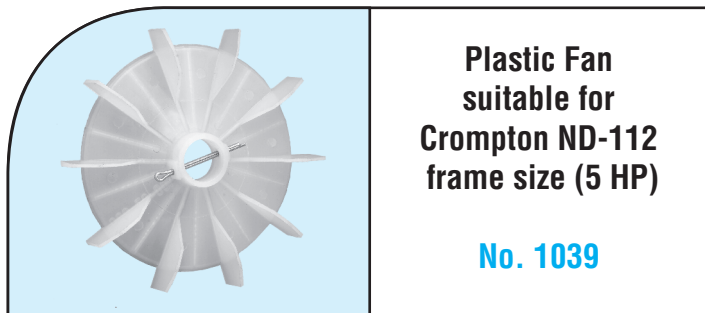
**Plastic Fan
suitable for
Crompton ND-100
frame size (3 HP)**

No. 1038

DRG. NO.	AØ	BØ	B1	C	DØ	E	H	I	JØ	NO OF BLADES	KØ
100-07-038	35	28	16, 19, 24, 25	21	180	5.5	33	13	4	10	152

FOREMOST INDUSTRIAL PRODUCTS

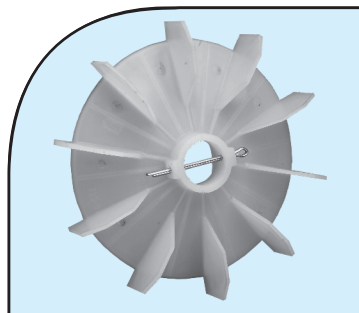
Plastic Fans



Plastic Fan suitable for Crompton ND-112 frame size (5 HP)

No. 1039

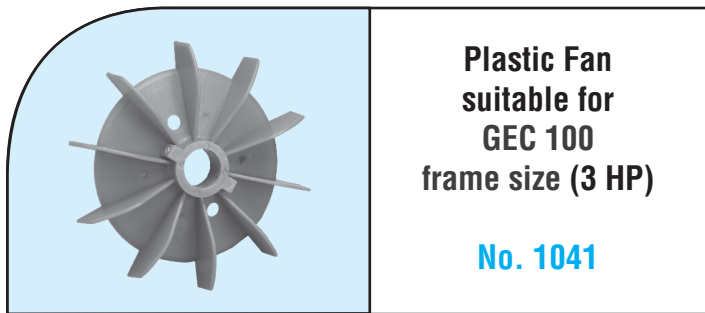
DRG. NO.	AØ	BØ	B1	C	DØ	E	H	I	JØ	NO OF BLADES	KØ
112-06-039	34	28	19,24,25	24	201	6	43	14	4	10	170



Plastic Fan suitable for Crompton ND-132 frame size (7.5-10 HP)

No. 1040

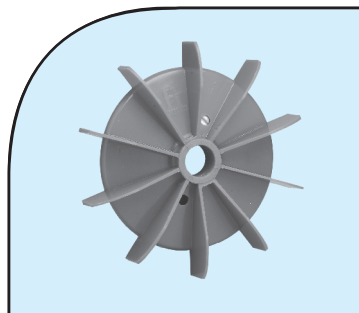
DRG. NO.	AØ	BØ	B1	C	DØ	E	H	I	JØ	NO OF BLADES	KØ
132-05-040	49	38	24,28,30	25	239	19	53.5	13.5	5	10	208



Plastic Fan suitable for GEC 100 frame size (3 HP)

No. 1041

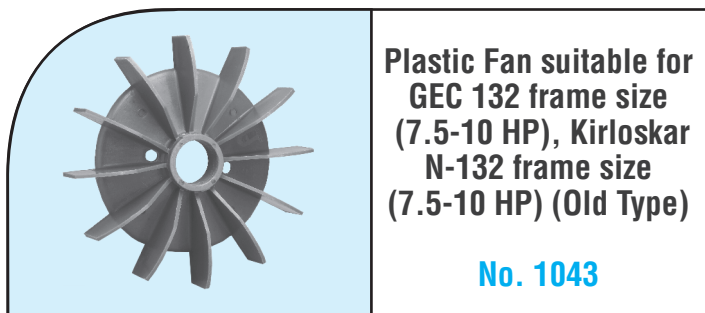
DRG. NO.	AØ	BØ	B1	C	DØ	E	H	I	JØ	NO OF BLADES	KØ
100-08-041	40	28	25	23	181	8	40	19	4	10	141



Plastic Fan suitable for GEC 112 frame size (5 HP)

No. 1042

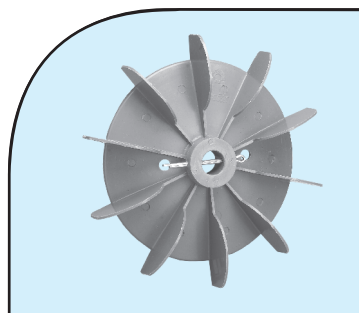
DRG. NO.	AØ	BØ	B1	C	DØ	E	H	I	JØ	NO OF BLADES	KØ
112-07-042	39	28	-	24.5	207	4.5	41	22	4	10	163



Plastic Fan suitable for GEC 132 frame size (7.5-10 HP), Kirloskar N-132 frame size (7.5-10 HP) (Old Type)

No. 1043

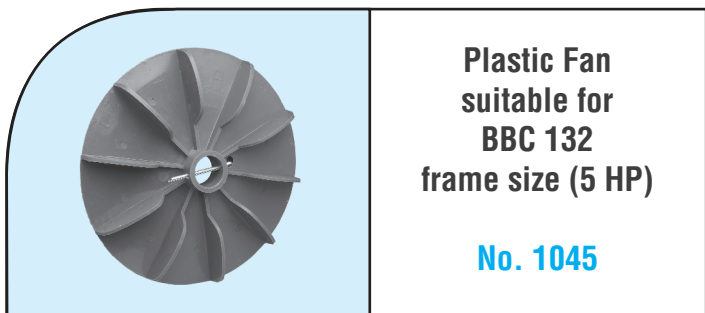
DRG. NO.	AØ	BØ	B1	C	DØ	E	H	I	JØ	NO OF BLADES	KØ
132-06-043	48	38	22	25	215	7.5	47	18.5	4	12	160



Plastic Fan suitable for BBC 112 frame size (3 HP) Saga Windel 112 frame size (5 HP) New India 112 frame size (5 HP)

No. 1044

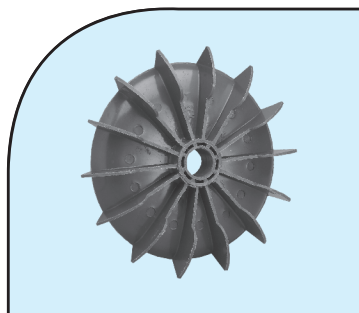
DRG. NO.	AØ	BØ	B1	C	DØ	E	H	I	JØ	NO OF BLADES	KØ
112-08-044	39	19	25,16	20	200	8	39	13.5	4	10	161



Plastic Fan suitable for BBC 132 frame size (5 HP)

No. 1045

DRG. NO.	AØ	BØ	B1	C	DØ	E	H	I	JØ	NO OF BLADES	KØ
132-07-045	38	29	19	24.5	225	8.5	38	16	4	10	



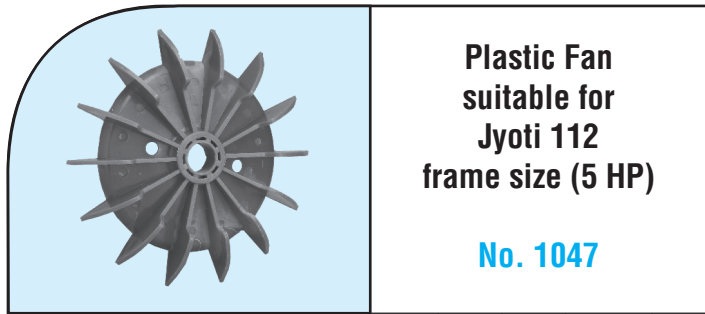
Plastic Fan suitable for Jyoti 100 frame size (3 HP)

No. 1046

DRG. NO.	AØ	BØ	B1	C	DØ	E	H	NO OF BLADES	KØ
100-09-046	34	20	-	23.5	169	6	36	14	144

FOREMOST INDUSTRIAL PRODUCTS

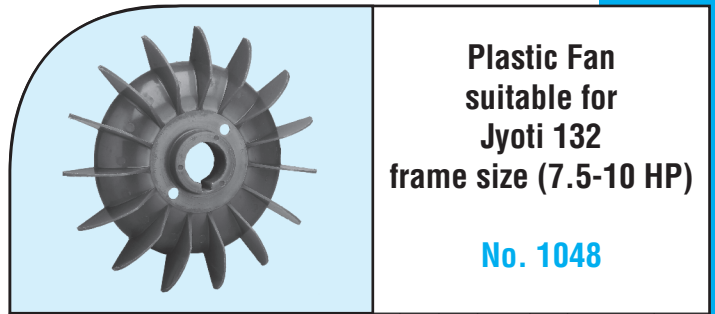
Plastic Fans



Plastic Fan
suitable for
Jyoti 112
frame size (5 HP)

No. 1047

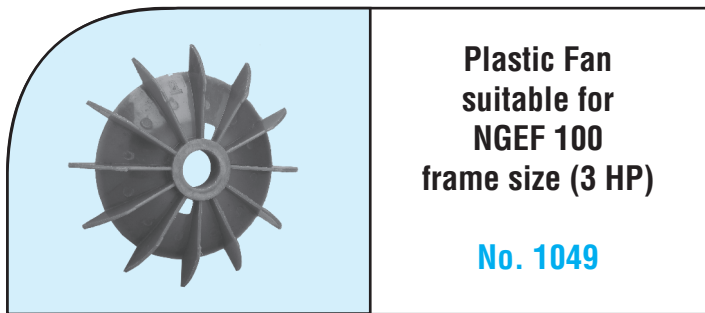
DRG. NO.	AØ	BØ	B1	C	DØ	E	H	NO OF BLADES	KØ
112-09-047	39	22	-	19	197	9	36	14	145



Plastic Fan
suitable for
Jyoti 132
frame size (7.5-10 HP)

No. 1048

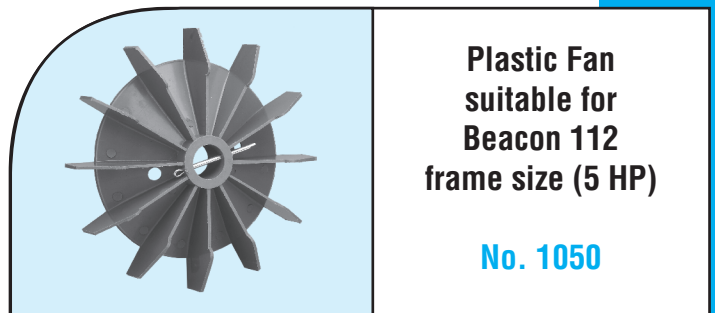
DRG. NO.	AØ	BØ	B1	C	DØ	E	H	G	M	NO OF BLADES	KØ
132-08-048	51	35	-	30	224	13	50	39.5	8	15	164



Plastic Fan
suitable for
NGEF 100
frame size (3 HP)

No. 1049

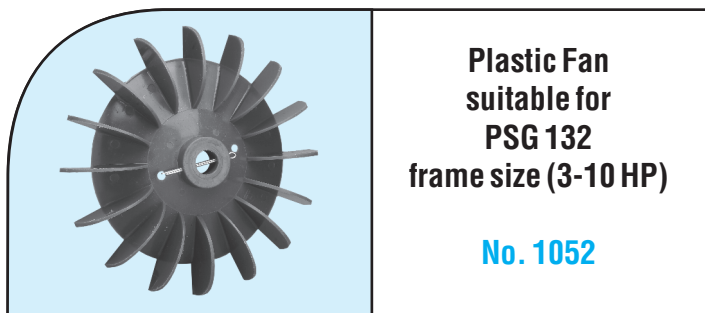
DRG. NO.	AØ	BØ	B1	C	DØ	E	H	I	JØ	NO OF BLADES	KØ
100-10-049	45	28	19	20	181	15	35	14	4	12	139



Plastic Fan
suitable for
Beacon 112
frame size (5 HP)

No. 1050

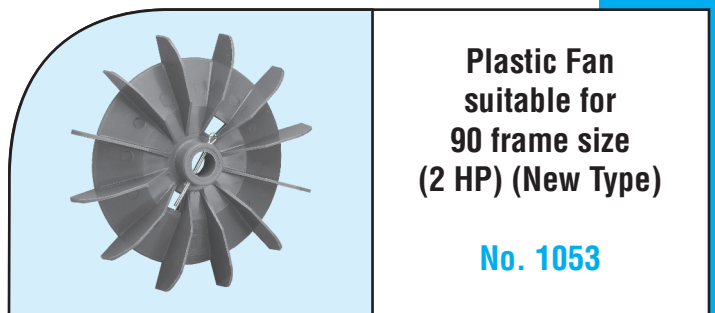
DRG. NO.	AØ	BØ	B1	C	DØ	E	H	I	JØ	NO OF BLADES	KØ
112-10-050	38	25	-	29.5	193	10	43	22.5	4	12	147



Plastic Fan
suitable for
PSG 132
frame size (3-10 HP)

No. 1052

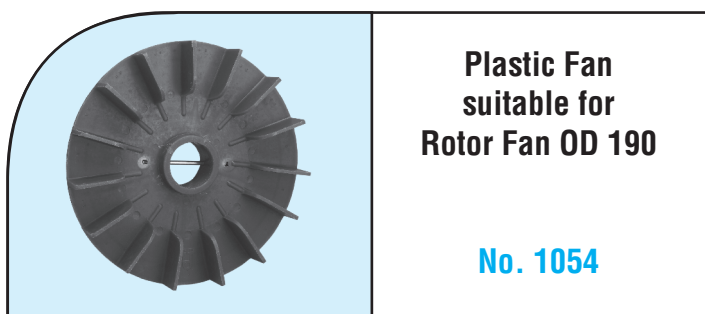
DRG. NO.	AØ	BØ	B1	C	DØ	E	H	I	JØ	NO OF BLADES	KØ
132-10-052	43	20	28, 30	20	230	18.5	44	12	4	16	176



Plastic Fan
suitable for
90 frame size
(2 HP) (New Type)

No. 1053

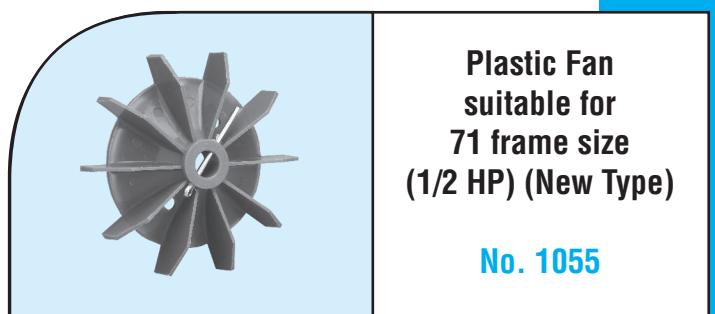
DRG. NO.	AØ	BØ	B1	C	DØ	E	H	I	JØ	NO OF BLADES	KØ
90-08-053	26	16	-	18	161	5.5	28	11.5	3	12	128



Plastic Fan
suitable for
Rotor Fan OD 190

No. 1054

DRG. NO.	AØ	BØ	B1	C	DØ	H	I	JØ	NO OF BLADES
RF-02-054	45	35	-	29.5	190	31	7.5	4	15



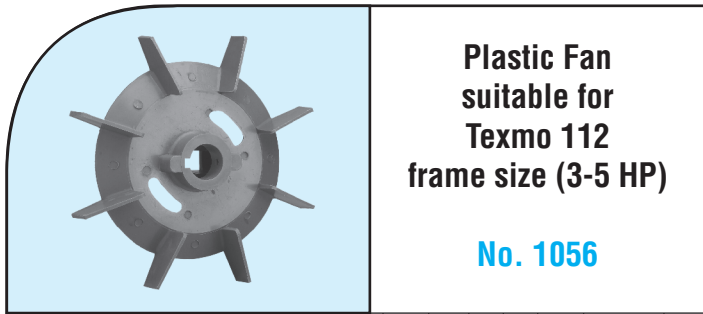
Plastic Fan
suitable for
71 frame size
(1/2 HP) (New Type)

No. 1055

DRG. NO.	AØ	BØ	B1	C	DØ	E	H	I	JØ	NO OF BLADES	KØ
71-03-055	25	14	15	17	119	8.5	28	13.5	3	10	90

FOREMOST INDUSTRIAL PRODUCTS

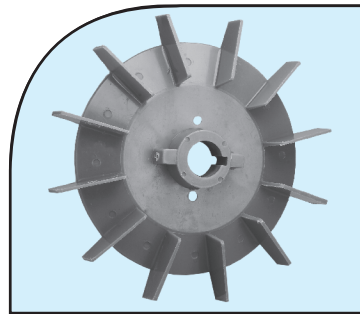
Plastic Fans



Plastic Fan suitable for Texmo 112 frame size (3-5 HP)

No. 1056

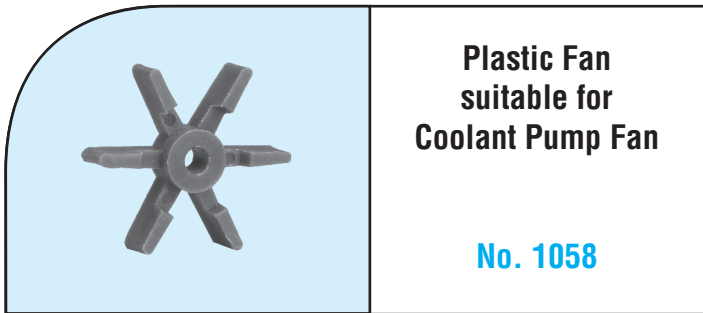
DRG. NO.	AØ	BØ	B1	C	DØ	E	H	G	M	I	J	NO OF BLADES	KØ
112-11-056	44	28	24,25,30 31,5,32	24	216	12	43.5	32	7	12	3/16 BSW	8	160



Plastic Fan suitable for Texmo 132 frame size (7.5-10 HP)

No. 1057

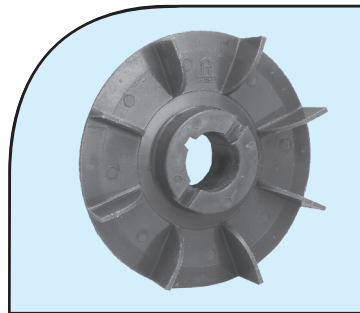
DRG. NO.	AØ	BØ	B1	C	DØ	E	H	G	M	I	J	NO OF BLADES	KØ
132-11-057	51	38	35,28	29	263	11	51	40	7.5	25	5/16	12	211



Plastic Fan suitable for Coolant Pump Fan

No. 1058

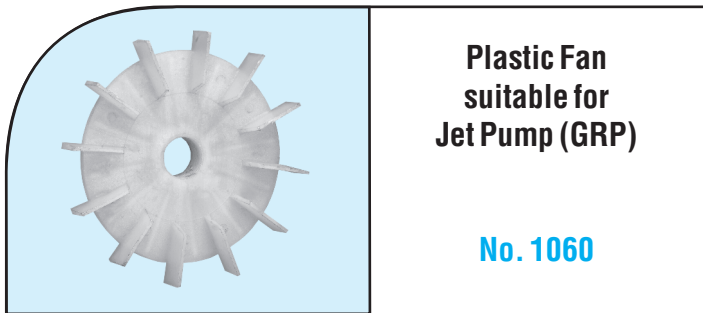
DRG. NO.	AØ	BØ	C	DØ	H	NO OF BLADES
CP-01-058	21.5	9	13.5	73	14	6



Plastic Fan suitable for Worthington Simpson Fan

No. 1059

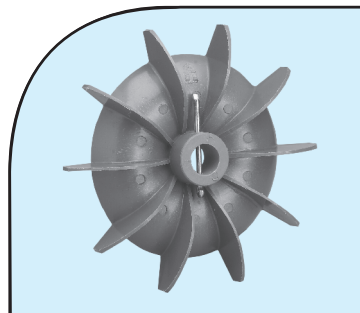
DRG. NO.	AØ	BØ	B1	C	DØ	H	G	J	NO OF BLADES
RF-03-059	55	32	-	33	138	25	35	7	8



Plastic Fan suitable for Jet Pump (GRP)

No. 1060

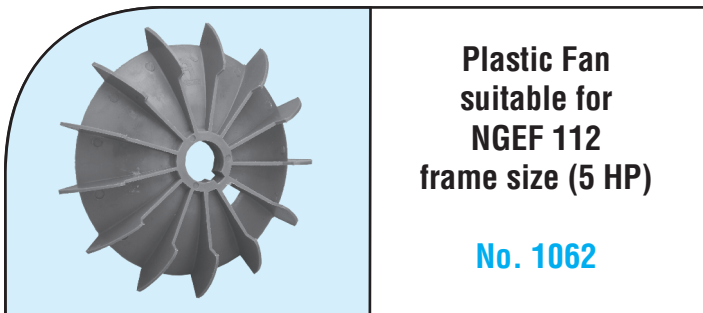
DRG. NO.	AØ	BØ	B1	C	DØ	H	NO OF BLADES	J	KØ
JP-01-060	35	26	20	17	136	18.5	12	2 BA	114



Plastic Fan suitable for Saga Windel 100 frame size (3 HP)

No. 1061

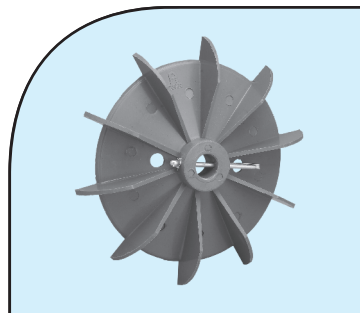
DRG. NO.	AØ	BØ	B1	C	DØ	E	H	I	JØ	NO OF BLADES	KØ
100-11-061	35	19	16	24	177	6	37	15	4	10	134



Plastic Fan suitable for NGEF 112 frame size (5 HP)

No. 1062

DRG. NO.	AØ	BØ	B1	C	DØ	E	H	G	M	NO OF BLADES	KØ
112-12-062	44	30	-	17	206	18	45	34	8	13	170



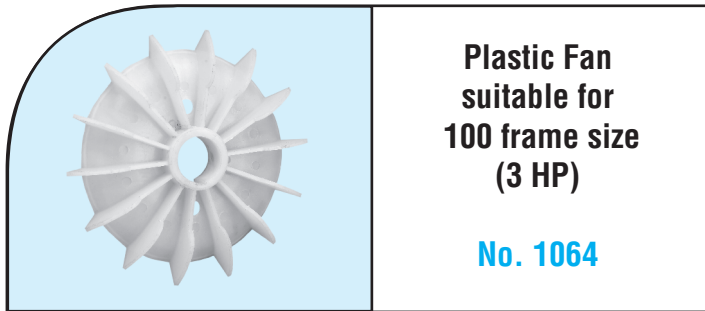
Plastic Fan suitable for Texmo 90 frame size (2 HP)

No. 1063

DRG. NO.	AØ	BØ	B1	C	DØ	E	H	I	JØ	NO OF BLADES	KØ
90-09-063	34	16	-	20	167	5.5	30	15	4	10	136

FOREMOST INDUSTRIAL PRODUCTS

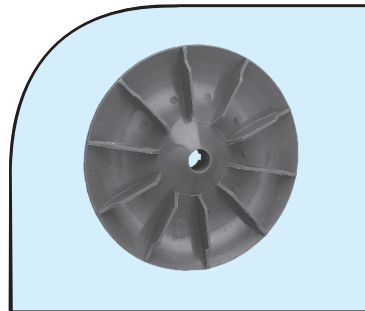
Plastic Fans



Plastic Fan suitable for 100 frame size (3 HP)

No. 1064

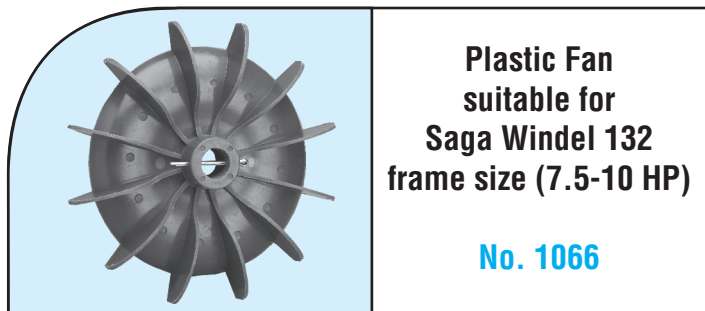
DRG. NO.	AØ	BØ	B1	C	DØ	E	H	G	M	NO OF BLADES	KØ
100-12-064	41.5	28	19	24	172	5.5	35	31	7	14	145



Plastic Fan suitable for Crompton Jet Pump

No. 1065

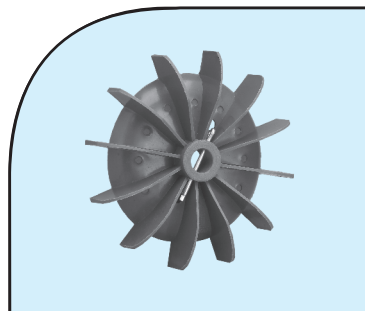
DRG. NO.	AØ	BØ	B1	C	DØ	H	I	J	NO OF BLADES
JP-02-065	23	16	-	23	160	19	19	5	10



Plastic Fan suitable for Saga Windel 132 frame size (7.5-10 HP)

No. 1066

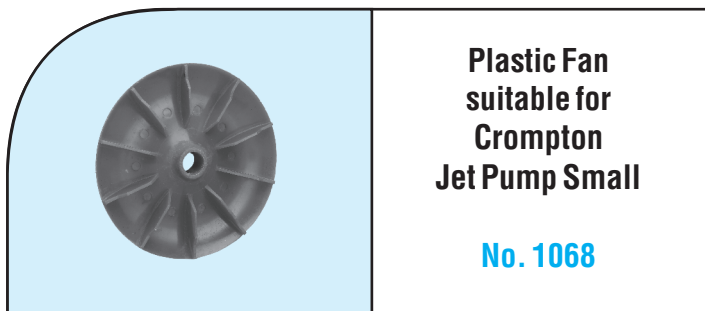
DRG. NO.	AØ	BØ	B1	C	DØ	E	H	I	J	NO OF BLADES	KØ
132-12-066	43.5	24	25	32	242	6	43	20	4	12	195



Plastic Fan suitable for Crompton 90 DCB-12

No. 1067

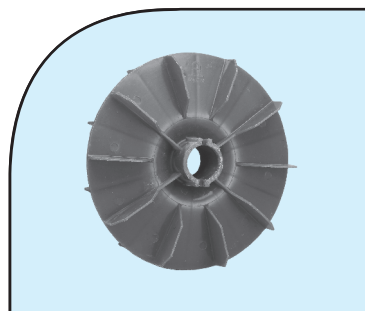
DRG. NO.	AØ	BØ	B1	C	DØ	E	H	I	J	NO OF BLADES	KØ
90-10-067	28	16	-	21	149	6	34.5	13	4	12	115



Plastic Fan suitable for Crompton Jet Pump Small

No. 1068

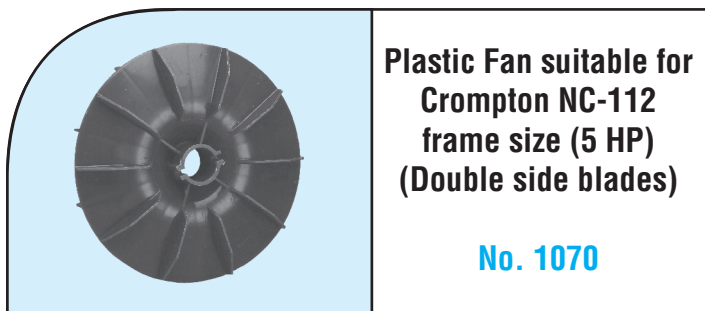
DRG. NO.	AØ	BØ	B1	C	DØ	H	I	J	NO OF BLADES
JP-03-068	24	16	-	24	140	18	18	4	10



Plastic Fan suitable for Crompton NC-100 frame size (3 HP) (Double side blades)

No. 1069

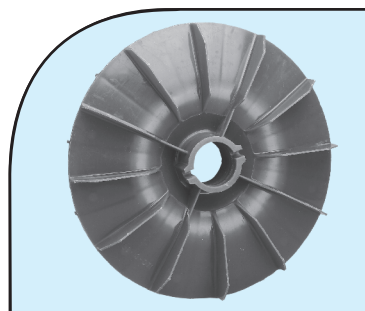
DRG. NO.	AØ	BØ	B1	C	DØ	H	I	J	NO OF BLADES
110-13-069	34	28	-	40	178	51	29	5	10



Plastic Fan suitable for Crompton NC-112 frame size (5 HP) (Double side blades)

No. 1070

DRG. NO.	AØ	BØ	B1	C	DØ	H	I	J	NO OF BLADES
112-13-070	34	28	-	40	202	52	29	5	10



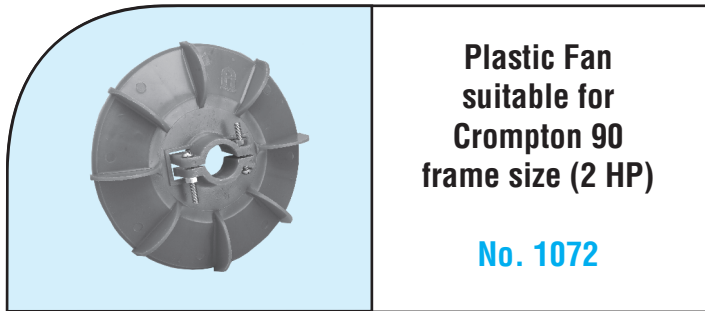
Plastic Fan suitable for Crompton NC-132 frame size (7.5-10 HP) (Double side blades)

No. 1071

DRG. NO.	AØ	BØ	B1	C	DØ	H	I	J	NO OF BLADES
132-13-071	47	38	-	41.5	240	52	29.5	5	12

FOREMOST INDUSTRIAL PRODUCTS

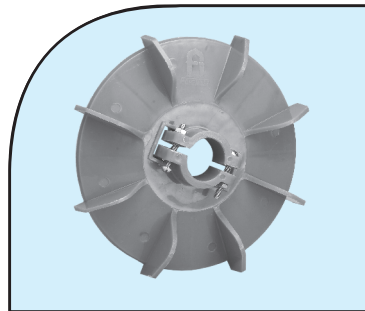
Plastic Fans



Plastic Fan
suitable for
Crompton 90
frame size (2 HP)

No. 1072

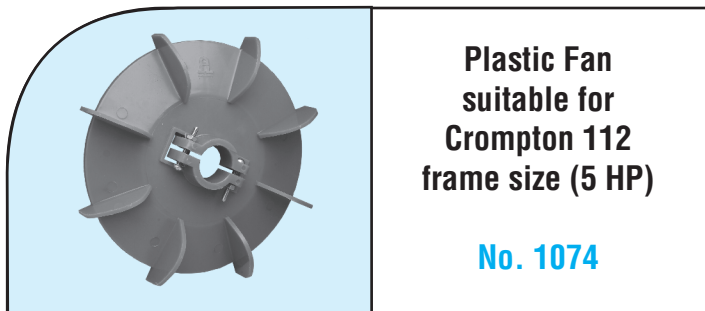
DRG. NO.	AØ	BØ	B1	C	DØ	E	H	NO OF BLADES	KØ
90-11-072	31	24	-	26	156	13.5	31.5	8	151



Plastic Fan
suitable for
Crompton 100
frame size (3 HP)

No. 1073

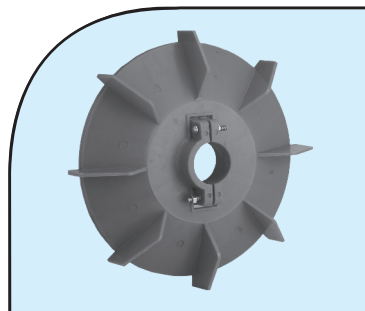
DRG. NO.	AØ	BØ	B1	C	DØ	E	H	NO OF BLADES	KØ
100-14-073	37	28	-	25	180	11	35.5	8	165



Plastic Fan
suitable for
Crompton 112
frame size (5 HP)

No. 1074

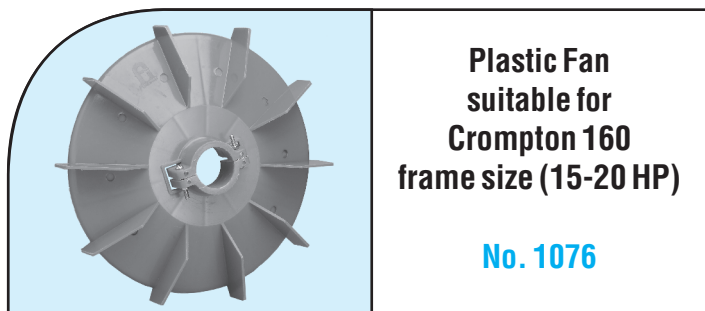
DRG. NO.	AØ	BØ	B1	C	DØ	E	H	NO OF BLADES	KØ
112-14-074	36.5	28	-	25	204	13	41	8	182



Plastic Fan
suitable for
Crompton 132
frame size (7.5-10 HP)

No. 1075

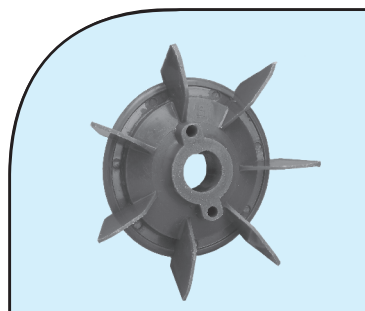
DRG. NO.	AØ	BØ	B1	C	DØ	E	H	NO OF BLADES	KØ
132-14-075	49	38	-	29	238	18	52	8	217



Plastic Fan
suitable for
Crompton 160
frame size (15-20 HP)

No. 1076

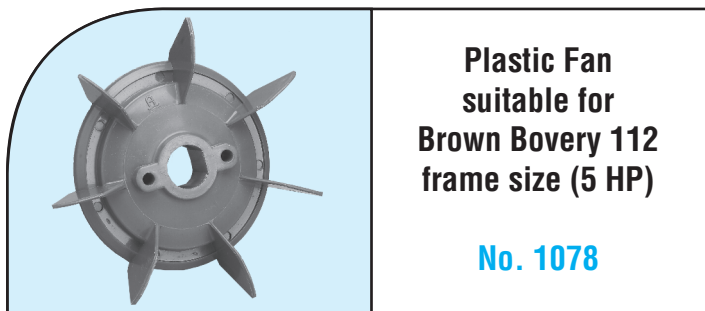
DRG. NO.	AØ	BØ	B1	C	DØ	E	H	NO OF BLADES	KØ
160-05-076	53	42	-	36.5	287	20.5	59	10	261



Plastic Fan
suitable for
Brown Boverly 100
frame size (3 HP)

No. 1077

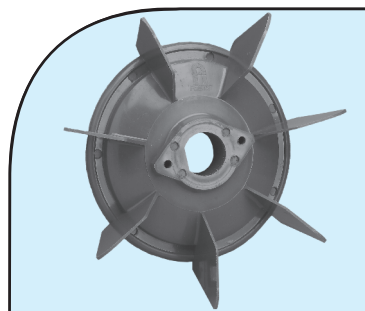
DRG. NO.	AØ	BØ	B1	C	DØ	E	F	H	NO OF BLADES	KØ
100-15-077	45	28	-	26.5	174	-	26.5	35.5	7	124



Plastic Fan
suitable for
Brown Boverly 112
frame size (5 HP)

No. 1078

DRG. NO.	AØ	BØ	B1	C	DØ	E	F	H	NO OF BLADES	KØ
112-15-078	42	28	-	27	192	-	26	41	7	139



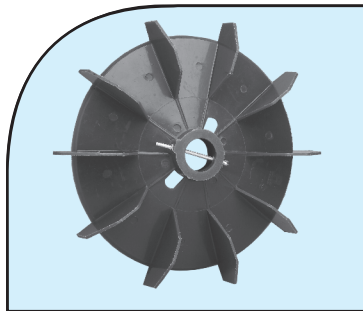
Plastic Fan
suitable for
Brown Boverly 132
frame size (7.5-10 HP)

No. 1079

DRG. NO.	AØ	BØ	B1	C	DØ	E	F	H	NO OF BLADES	KØ
132-15-079	53	32.5	-	26	225	4	30	49.5	7	164

FOREMOST INDUSTRIAL PRODUCTS

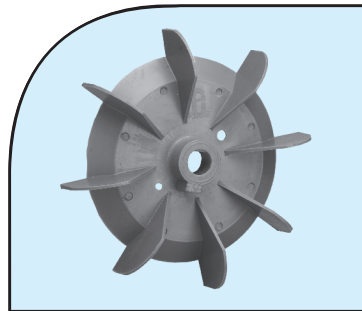
Plastic Fans



Plastic Fan
suitable for
Manju 132
frame size (3-10 HP)

No. 1080

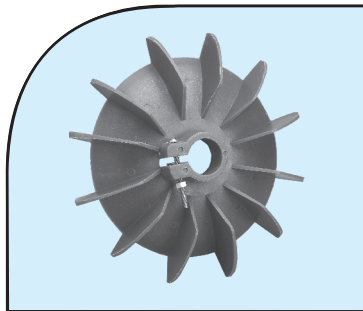
DRG. NO.	AØ	BØ	B1	C	DØ	E	H	I	JØ	NO OF BLADES	KØ
132-16-080	43	28	22	21	239	16	53	15	4	10	205



Plastic Fan
suitable for
C.R.I 132
frame size (3-10 HP)

No. 1081

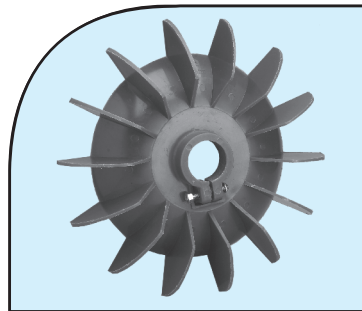
DRG. NO.	AØ	BØ	B1	C	DØ	E	H	F	I	JØ	NO OF BLADES	KØ
132-17-081	39	21.5	25,28	22	228	11	54	19.5	13	3/16"	8	180



Plastic Fan
suitable for
Lubi 100
frame size (3 HP)

No. 1082

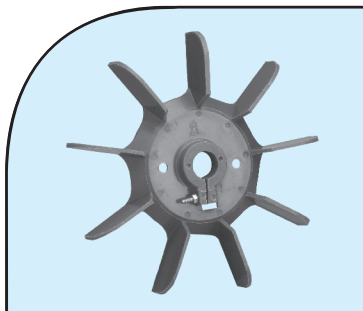
DRG. NO.	AØ	BØ	B1	C	DØ	E	H	NO OF BLADES	KØ
100-16-082	38	28	-	24	197	18	50	12	157



Plastic Fan
suitable for
Lubi 112
frame size (5 HP)

No. 1083

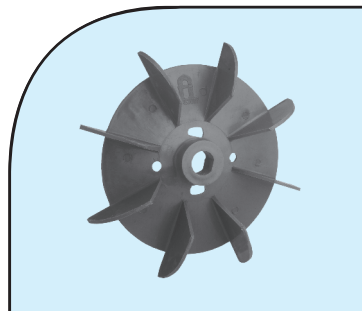
DRG. NO.	AØ	BØ	B1	C	DØ	E	H	NO OF BLADES	KØ
112-16-083	44	31	-	16.5	222	22	52.5	14	163.5



Plastic Fan
suitable for
Suguna 132
frame size (3-5 HP)

No. 1084

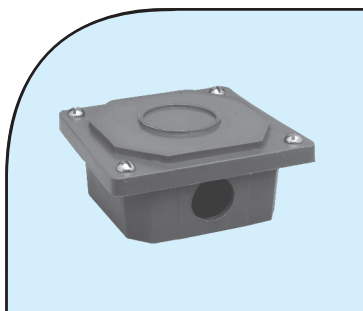
DRG. NO.	AØ	BØ	B1	C	DØ	E	H	NO OF BLADES	KØ
132-18-084	42.5	25	-	19	244	19	43	9	126



Plastic Fan
suitable for
VOTA 112
frame size (3-5 HP)

No. 1085

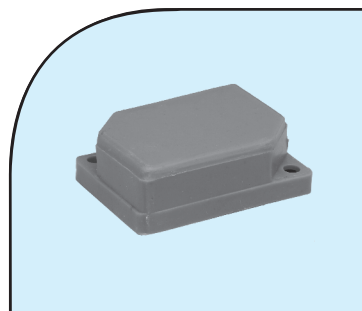
DRG. NO.	AØ	BØ	B1	C	DØ	E	H	F	NO OF BLADES	KØ
112-17-085	40	22	25	20	216	6	48.5	20	8	169



Plastic Box
suitable for
Kirloskar 3 HP

No. 1086

DRG. NO.	L	B	H	DØ	CTC
TB-01-086	71	71	42	6.5	50



65 x 49 Plastic Box

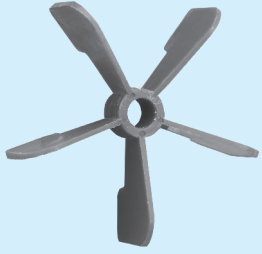
No. 1087

DRG. NO.	L	B	H	DØ	CTC
TB-02-087	64	49	22	6	52

FOREMOST INDUSTRIAL PRODUCTS

Plastic Fans

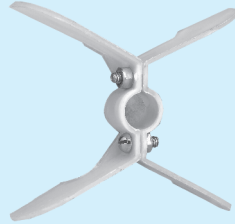




5 Blade Fan

No. 1088

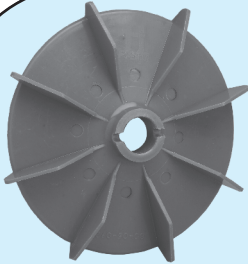
DRG. NO.	AØ	BØ	B1	C	DØ	E	H	NO OF BLADES
SPF-01-088	23	14	-	18.5	117	6.5	38.5	5



Sharp Pump Fan

No. 1089


DRG. NO.	AØ	BØ	B1	C	DØ	E	H	NO OF BLADES
SPF-02-089	18	15	-	15	125	7	23	4



Plastic Fan suitable for Kirloskar KH-80 frame size (1 HP)

No. 1092

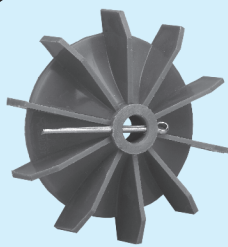
DRG. NO.	AØ	BØ	B1	C	DØ	E	H	I	JØ	NO OF BLADES	KØ
80-05-092	27	19	14,15	16.5	144	7	27	11	4	8	128



Plastic Fan suitable for Kirloskar KH-71 frame size (1/2 HP)

No. 1093

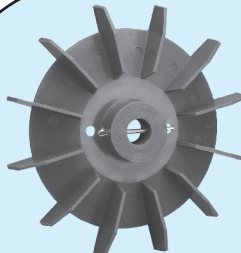
DRG. NO.	AØ	BØ	B1	C	DØ	E	H	I	JØ	NO OF BLADES	KØ
71-04-093	23.5	15	10,12	14	118	3.5	19.5	6	3	8	101



Plastic Fan suitable for Tullu Type

No. 1094

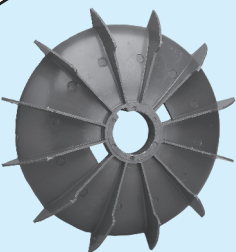
DRG. NO.	AØ	BØ	B1	C	DØ	E	H	I	JØ	NO OF BLADES	KØ
SPF-03-094	19	11	-	16	92	7	24	12	3	10	73



Plastic Fan suitable for Mahendra Type (5-10 HP)

No. 1095

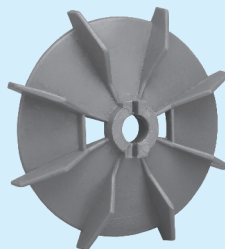
DRG. NO.	AØ	BØ	B1	C	DØ	E	H	I	JØ	NO OF BLADES	KØ
112-18-095	50	22	-	25	215	6	36	15	4	12	170



Plastic Fan suitable for NGEF 132 frame size (7.5-10 HP)

No. 1096

DRG. NO.	AØ	BØ	B1	C	DØ	E	H	G	M	NO OF BLADES	KØ
132-19-096	55.5	40	-	22	235	22	52	44	10	12	201



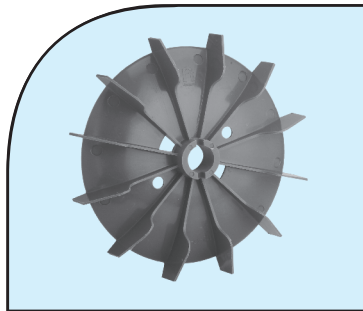
Plastic Fan suitable for Kirloskar KH-63 frame size (1/4 HP)

No. 1097

DRG. NO.	AØ	BØ	B1	C	DØ	E	H	I	JØ	NO OF BLADES	KØ
63-02-097	20.5	12	-	12	105	4.5	20	6	3	8	91

FOREMOST INDUSTRIAL PRODUCTS

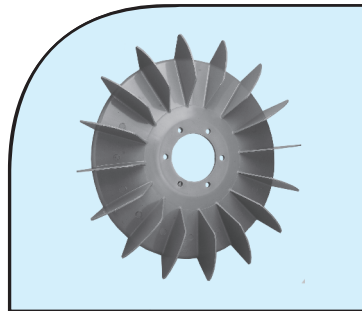
Plastic Fans



Plastic Fan
suitable for
112 frame size

No. 1098

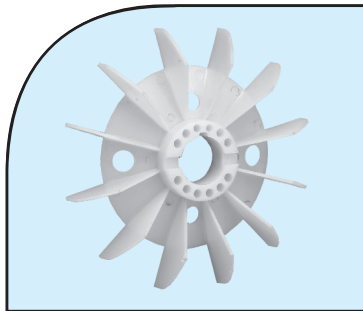
DRG. NO.	AØ	BØ	B1	C	DØ	E	H	I	JØ	NO OF BLADES	KØ
112-17-098	32	22	-	25	200	8	42	17	6	12	175



Plastic Fan
suitable for
Kirloskar KH/LD-180
frame size (30-40 HP)

No. 1099

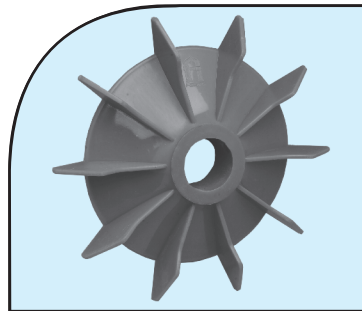
DRG. NO.	AØ	BØ	B1	C	DØ	E	H	JØ	NO OF BLADES	KØ	PCD
180-03-099	100	63	-	6	323	19	62	7	16	265	81



Plastic Fan
suitable for
Beacon 132 frame size
(7.5-10 HP) (GRP)

No. 1100

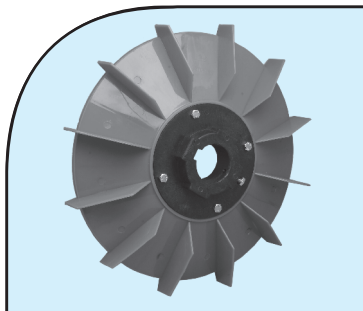
DRG. NO.	AØ	BØ	B1	C	DØ	E	H	M	G	J	NO OF BLADES	KØ
132-20-100	70	42	-	28	234	7	46	9	45	9	12	161



Plastic Fan
suitable for
90 frame size

No. 1101

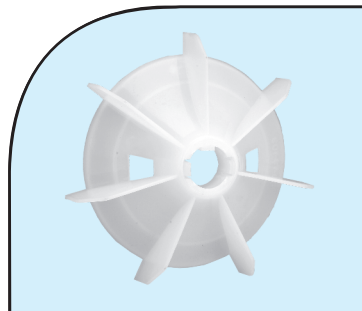
DRG. NO.	AØ	BØ	C	DØ	E	H	NO OF BLADES	KØ
90-12-101	43	30	25	160	2	29	10	120



Plastic Fan
suitable for
180 frame size
(30-40 HP)

No. 1102

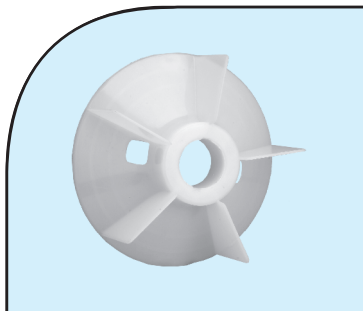
DRG. NO.	AØ	BØ	B1	C	DØ	E	H	J	M	I	KØ	NO OF BLADES
180-04-102	75	45	48,50 55,60	35	330	26	62	6mm Taping	13	25	300	12



Plastic Fan
suitable for
Bharat Bijlee 90
frame size (2 HP)

No. 1103

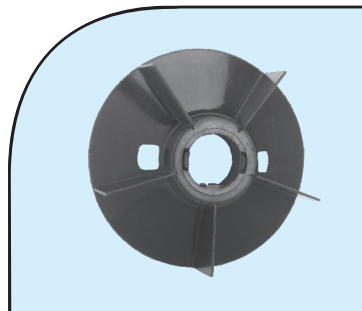
DRG. NO.	AØ	BØ	C	DØ	E	H	M	N	NO OF BLADES	KØ
90-13-103	38	24.6	18.9	150	19.6	37	7.8	22	7	125



Plastic Fan
suitable for
Bharat Bijlee 160
frame size 2 Pole

No. 1104

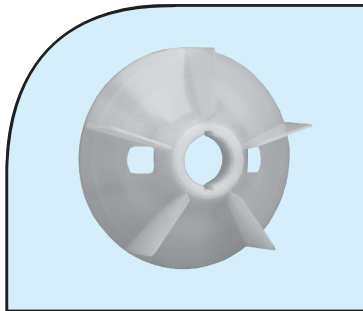
DRG. NO.	AØ	BØ	B1	C	DØ	E	H	M	G	NO OF BLADES
160-06-104	77.4	45	-	35	202	29	76	7.8	54	5



Plastic Fan
suitable for
Bharat Bijlee 180
frame size 2 Pole

No. 1105

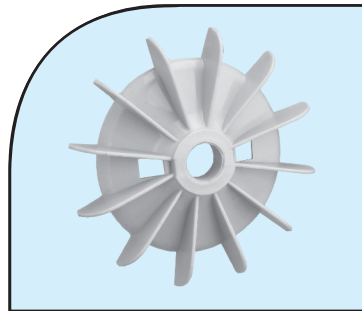
DRG. NO.	AØ	BØ	B1	C	DØ	E	H	M	N	NO OF BLADES
180-05-105	77.4	49	-	40	202	29	79	14	43.5	5



Plastic Fan
suitable for
Bharat Bijlee 132
frame size 2 Pole

No. 1106

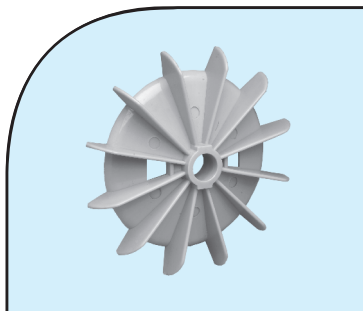
DRG. NO.	AØ	BØ	B1	C	DØ	E	H	M	G	NO OF BLADES
132-21-106	65	40	-	27	186.5	28	68	7.8	49	5



Plastic Fan
suitable for
Bharat Bijlee 80
frame size (1 HP)

No. 1107

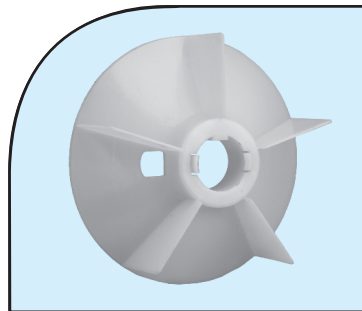
DRG. NO.	AØ	BØ	C	DØ	E	H	I	JØ	NO OF BLADES	KØ
80-06-107	35	20	15	140	7	24	13	2.7	12	106



Plastic Fan
suitable for
Bharat Bijlee 71
frame size (½ HP)

No. 1108

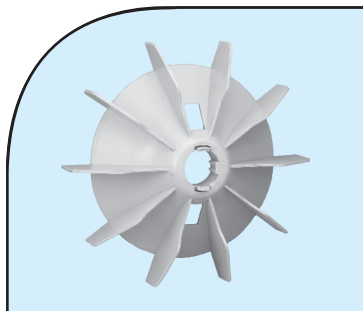
DRG. NO.	AØ	BØ	C	DØ	E	H	I	J	NO OF BLADES	KØ
71-05-108	21	15	16	127	5	21	12	3.5	12	98



Plastic Fan
suitable for
Bharat Bijlee 180
frame size (30-40 HP)

No. 1109

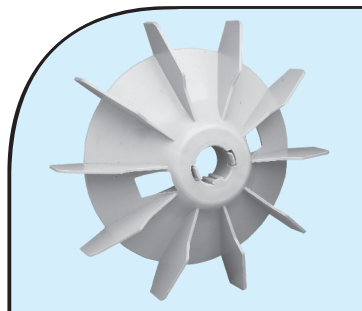
DRG. NO.	AØ	BØ	C	DØ	E	H	M	N	NO OF BLADES
180-06-109	77.4	49	40	225	32	82	14	43.5	5



Plastic Fan
suitable for
Bharat Bijlee 100
frame size (3 HP)

No. 1110

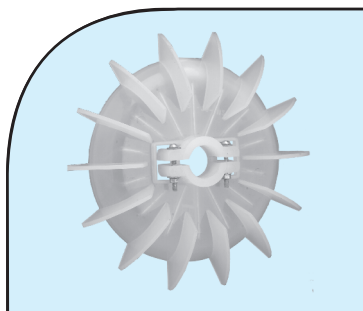
DRG. NO.	AØ	BØ	C	DØ	E	H	M	N	NO OF BLADES	KØ
100-17-110	40	25	17.5	171	20	39	7.8	22	10	131



Plastic Fan
suitable for
Bharat Bijlee 112
frame size (5 HP)

No. 1111

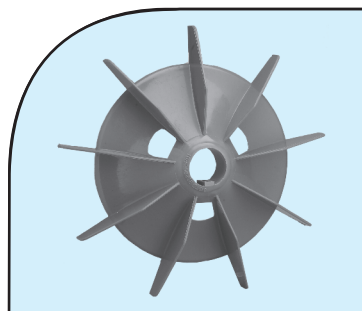
DRG. NO.	AØ	BØ	C	DØ	E	H	M	N	NO OF BLADES	KØ
112-20-111	55	25	25	197	19	44.5	7.8	22	10	151



Plastic Fan
suitable for
KO 132
frame size

No. 1112

DRG. NO.	AØ	BØ	B1	C	DØ	E	H	NO OF BLADES	KØ
132-23-112	44	29	32,33	29	232	13	50	14	182



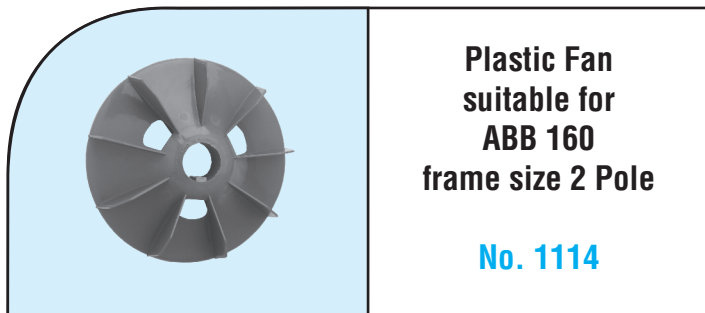
Plastic Fan
suitable for
ABB 160
frame size 4 Pole

No. 1113

DRG. NO.	AØ	BØ	C	DØ	E	H	M	N	NO OF BLADES	KØ
160-07-113	50	38	35.5	282	16.5	57.5	10	33.3	9	205

FOREMOST INDUSTRIAL PRODUCTS

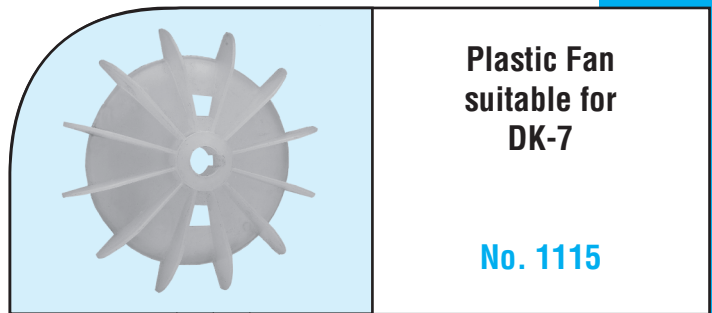
Plastic Fans



Plastic Fan
suitable for
ABB 160
frame size 2 Pole

No. 1114

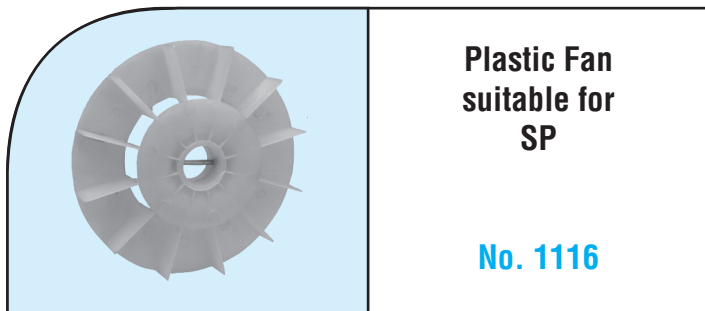
DRG. NO.	AØ	BØ	C	DØ	E	H	M	N	NO OF BLADES	KØ
160-08-114	50	38	35.5	207	16.5	57.5	10	33.3	9	205



Plastic Fan
suitable for
DK-7

No. 1115

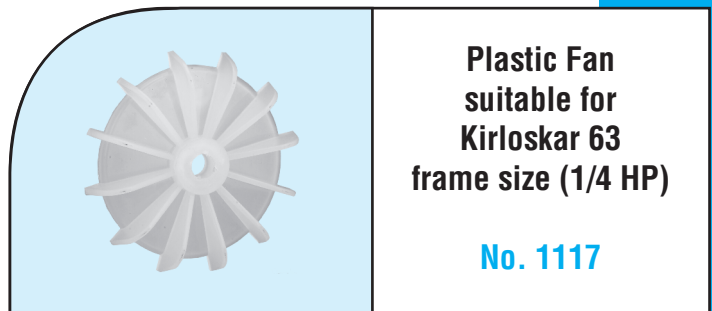
DRG. NO.	A	B	B1	C	D	E	H	M	N	NO OF BLADES	KØ
1115	28	14	-	20	130	8	31.5	5	16	12	103



Plastic Fan
suitable for
SP

No. 1116

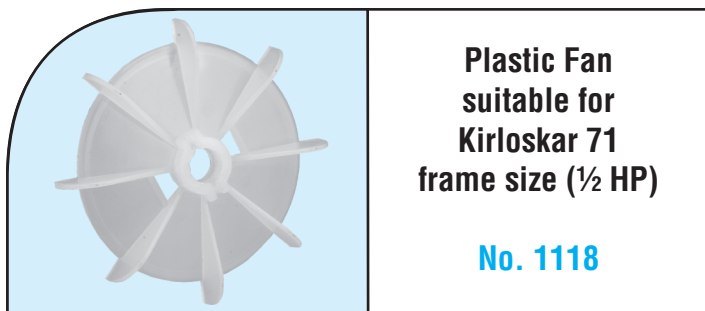
DRG. NO.	AØ	BØ	C	DØ	E	H	J	NO OF BLADES
1116	28	22	21	136	-	24	3	12



Plastic Fan
suitable for
Kirloskar 63
frame size (1/4 HP)

No. 1117

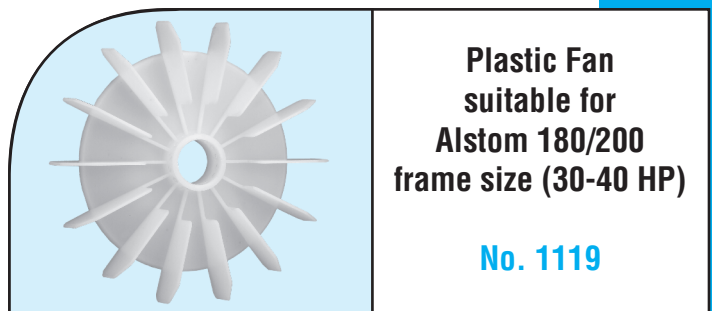
DRG. NO.	AØ	BØ	C	DØ	E	H	I	JØ	NO OF BLADES	KØ
63-03-117	23	10	11.5	91	1.25	18.5	10	3	12	78



Plastic Fan
suitable for
Kirloskar 71
frame size (1/2 HP)

No. 1118

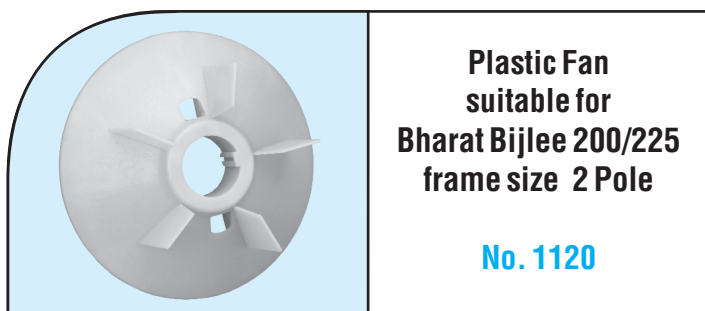
DRG. NO.	AØ	BØ	C	DØ	E	H	J	NO OF BLADES	KØ
71-06-118	24	14.5	12	122	4	20	3	8	102



Plastic Fan
suitable for
Alstom 180/200
frame size (30-40 HP)

No. 1119

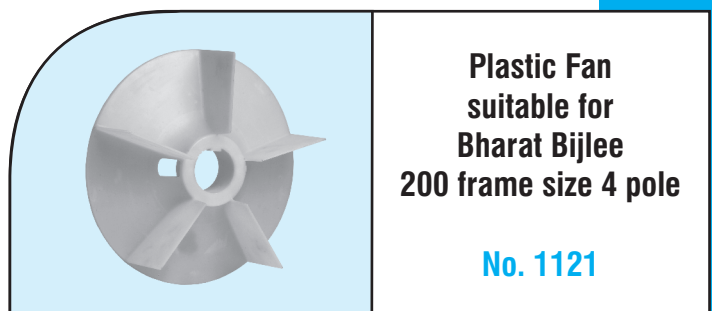
DRG. NO.	AØ	BØ	C	DØ	E	H	I	J	NO OF BLADES	KØ
180/200-07 119	54	43	40	274	2.5	54	30	5	14	212



Plastic Fan
suitable for
Bharat Bijlee 200/225
frame size 2 Pole

No. 1120

DRG. NO.	AØ	BØ	C	DØ	E	H	M	N	NO OF BLADES
200/225 -01-120	92	57.6	45	264	17	110	14	52.5	5



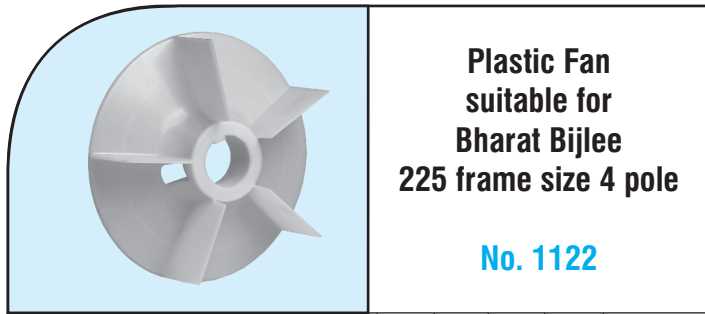
Plastic Fan
suitable for
Bharat Bijlee
200 frame size 4 pole

No. 1121

DRG. NO.	A	B	C	D	E	H	M	N	NO OF BLADES
200-02-121	92	57.6	45	282	16	85	14	52.5	5

FOREMOST INDUSTRIAL PRODUCTS

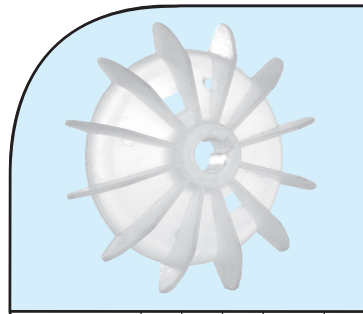
Plastic Fans



**Plastic Fan
suitable for
Bharat Bijlee
225 frame size 4 pole**

No. 1122

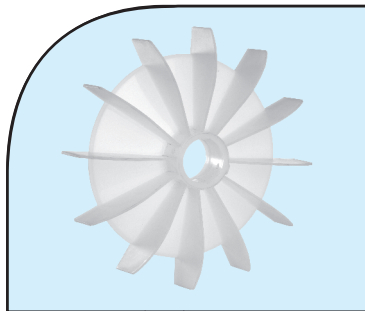
DRG. NO.	A	B	C	D	E	H	M	N	NO OF BLADES
225-01-122	92	57.6	45	302	16	95	14	52.5	5



**Plastic Fan
suitable for
DK-6**

No. 1123

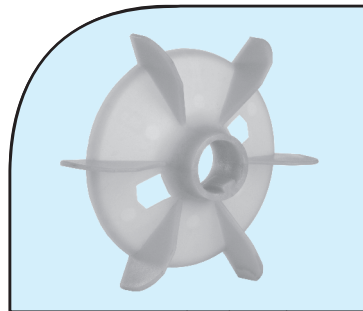
DRG. NO.	A	B	B1	C	D	E	H	M	N	NO OF BLADES	KØ
1123	27	14	11	18.5	115	7.5	28	5	16	12	90



**Plastic Fan
suitable for
Alstom 160
frame size (15-20 HP)**

No. 1124

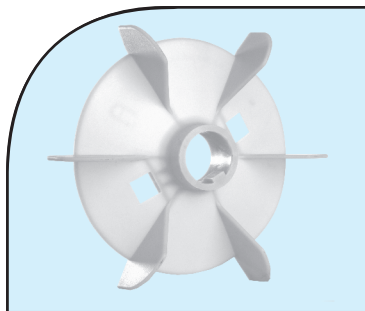
DRG. NO.	A	B	C	D	E	H	I	J	NO OF BLADES	KØ
160-09-124	57	43	40	254	2	55	30	5	12	200



**Plastic Fan
suitable for Kirloskar Y
Series KI-112
frame size (5 HP)**

No. 1125

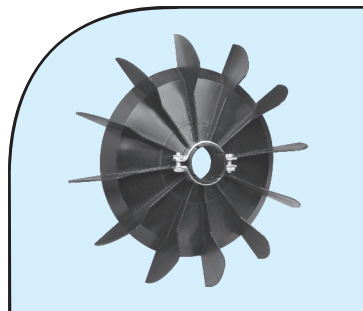
DRG. NO.	A	B	C	D	E	H	M	N	NO OF BLADES	KØ
112-21-125	35	28	29.5	155	7.5	35	8	24	6	120



**Plastic Fan
suitable for Kirloskar
Y Series KI-160
frame size (15-20 HP)**

No. 1126

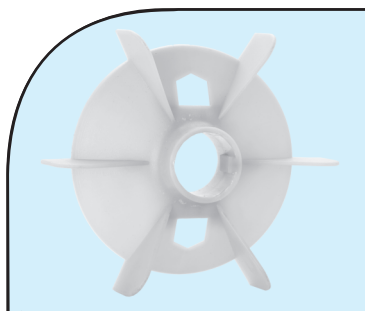
DRG. NO.	A	B	C	D	E	H	M	N	NO OF BLADES	KØ
160-10-126	54.5	43	40	248	8	59	12	38	6	200



**Plastic Fan
suitable for E-132
frame size (7.5-10 HP)**

No. 1127

DRG. NO.	A	B	B1	C	D	E	H	NO OF BLADES	KØ
132-24-127	48	38	32,35 42	30	238	11	48	12	177



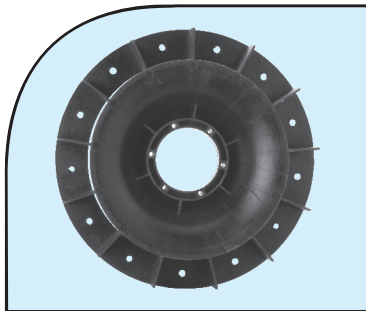
**Plastic Fan
suitable for Kirloskar
Y Series KI-132
frame size (7.5-10 HP)**

No. 1128

DRG. NO.	A	B	B1	C	D	E	H	NO OF BLADES	KØ
132-25-128	45.5	38	-	35	184	9	46.5	6	144

FOREMOST INDUSTRIAL PRODUCTS

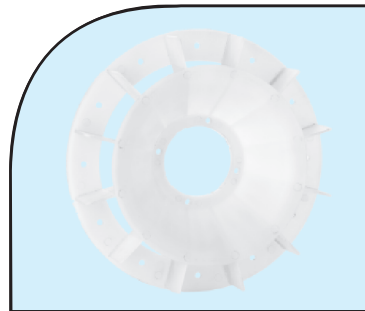
Plastic Fans



**Plastic Fan
for
Alternators**

No. 1194

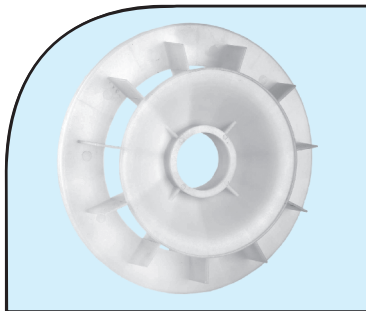
DRG. NO.	A	B	C	D	E	H	NO OF BLADES	KØ
1194	112	85	41	355	36	77	13	263



**Plastic Fan
for
Alternators**

No. 1195

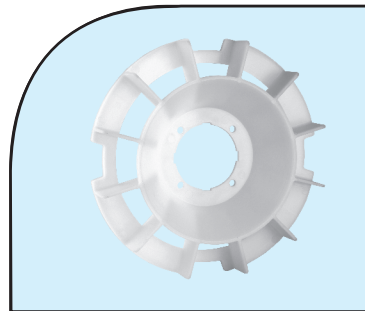
DRG. NO.	A	B	C	D	E	H	NO OF BLADES	KØ
1195	102	75	9	280	53	62	12	210



**Plastic Fan
for
Alternators**

No. 1196

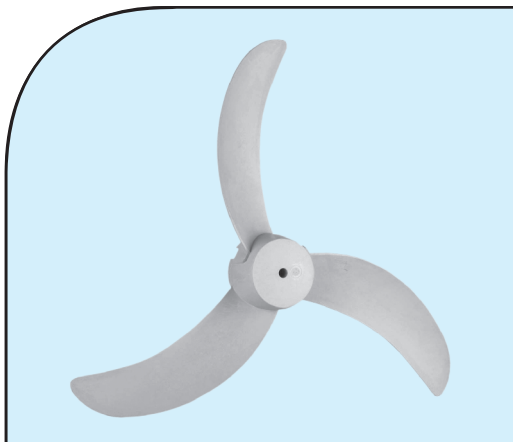
DRG. NO.	A	B	C	D	E	H	NO OF BLADES	K
1196	60.5	48.2	26.5	232.5	16.5	50.3	11	158



**Plastic Fan
for
Alternators**

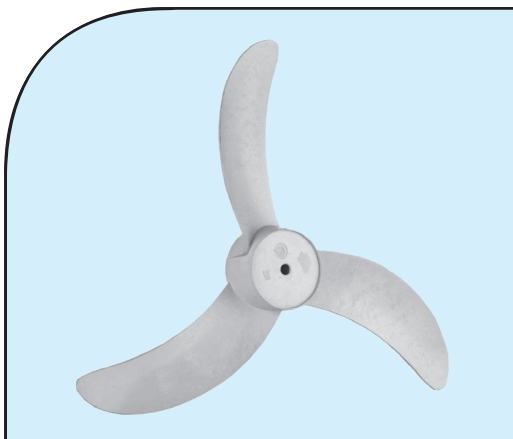
No. 1197

DRG. NO.	A	B	C	D	E	H	NO OF BLADES	K
1197	100	66	5	239.5	37	40	12	165



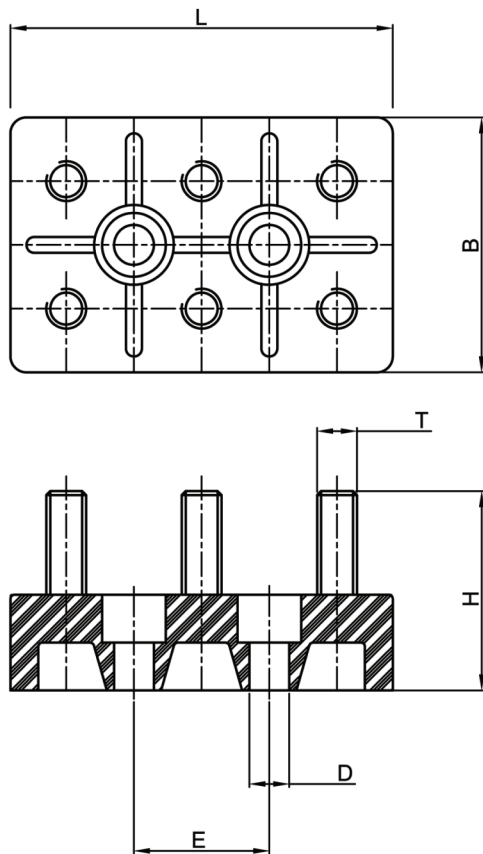
450 mm Carriage Fan

No. 1198



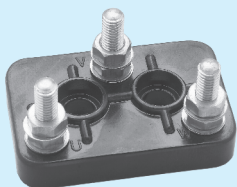
400 mm Carriage Fan

No. 1199



REFERENCE ABBREVIATIONS

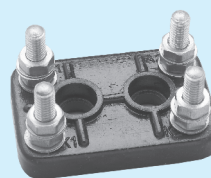
- L LENGTH OF THE TERMINAL BLOCK
- B WIDTH OF THE TERMINAL BLOCK
- E CENTRE DISTANCE BETWEEN THE FIXING HOLES
- D DIAMETER OF THE FIXING HOLES
- H TOTAL HEIGHT OF THE BLOCK WITH THE INSERT
- T THREADING OF THE INSERT IN mm



**Terminal Block
suitable for
1 HP Motor**

No. 2001

DRG. NO.	L	B	E	D	H	T
FI/TP1/3T	49	32	18	7	25.5	M 5



**Terminal Block
suitable for
Single Phase Motors**

No. 2002

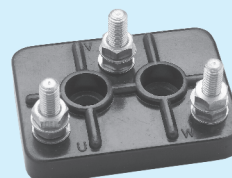
DRG. NO.	L	B	E	D	H	T
FI/TP 1/4T	50	32	18	7	25.5	M 5



**Terminal Block
suitable for
1-2 HP Motors**

No. 2003

DRG. NO.	L	B	E	D	H	T
FI/TP 1/6T	50	32	18	7	25.5	M 5



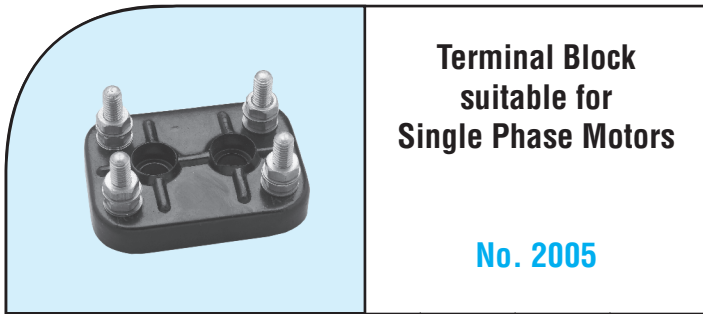
**Terminal Block
suitable for
1-3 HP Motors**

No. 2004

DRG. NO.	L	B	E	D	H	T
FI/TP 2/3T	55	40	19.5	7	26	M 5

FOREMOST INDUSTRIAL PRODUCTS

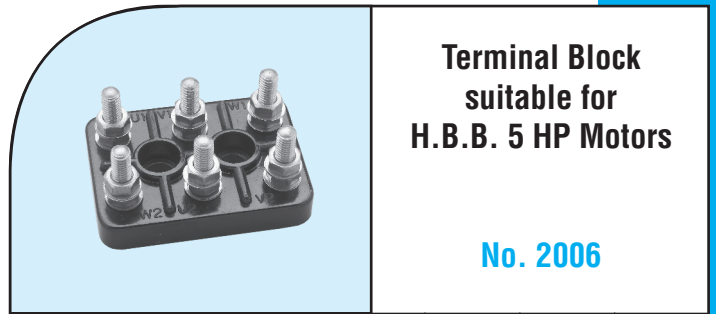
Terminal Blocks



**Terminal Block
suitable for
Single Phase Motors**

No. 2005

DRG. NO.	L	B	E	D	H	T
FI/TP 2/4T	55	40	20	7.5	26	M 5



**Terminal Block
suitable for
H.B.B. 5 HP Motors**

No. 2006

DRG. NO.	L	B	E	D	H	T
FI/TP 2/6T	55	40	19.5	7	26	M 5



**Terminal Block
suitable for
3 HP Motors**

No. 2007

DRG. NO.	L	B	E	D	H	T
FI/TP 3/3T	70	45	24	7	29.5	M 6



**Terminal Block
suitable for
5-10 HP Motors**

No. 2008

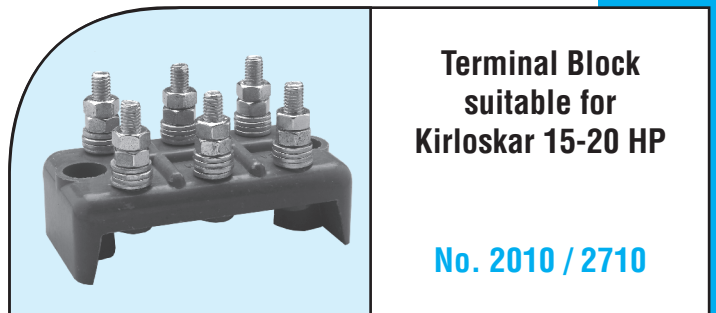
DRG. NO.	L	B	E	D	H	T
FI/TP 3/6T	70	45	25	8	29.5	M 6



**Terminal Block
suitable for
Crompton (Old)
15 HP Motors**

No. 2009

DRG. NO.	L	B	E	D	H	T
FI/TP 4/6T	82	53	30	8	31	M 6



**Terminal Block
suitable for
Kirloskar 15-20 HP**

No. 2010 / 2710

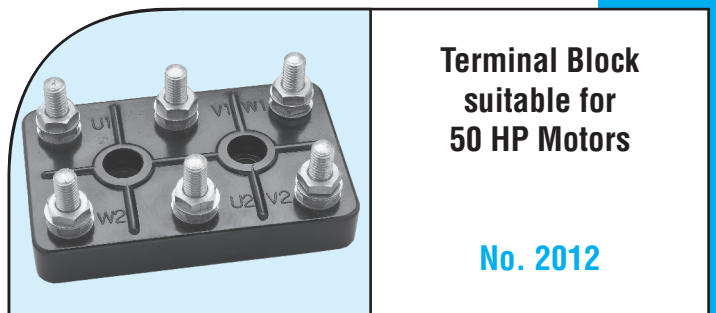
DRG. NO.	L	B	E	D	H	T
FI/TP 5/6T	87	49	69	8	50.5	M 6



**Terminal Block
suitable for
Crompton (Old)
15-25 HP
& NEI 15-25 HP Motors**

No. 2011

DRG. NO.	L	B	E	D	H	T
FI/TP 6/6T	96	60	36	9	39.5	M 8



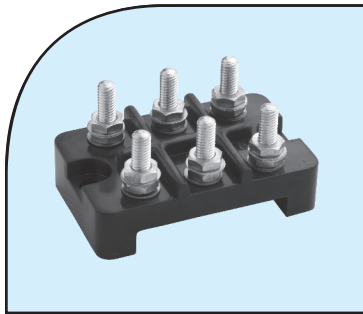
**Terminal Block
suitable for
50 HP Motors**

No. 2012

DRG. NO.	L	B	E	D	H	T
FI/TP 7/6T	112	69	44	9	40.5	M 8

FOREMOST INDUSTRIAL PRODUCTS

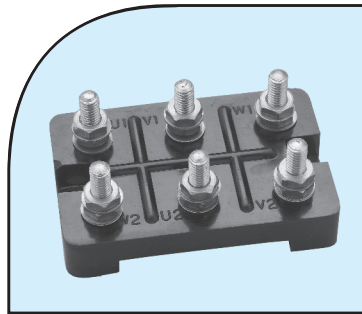
Terminal Blocks



Terminal Block suitable for Texmo 3-5 HP, Laxmi 10-20 HP Motors

No. 2013

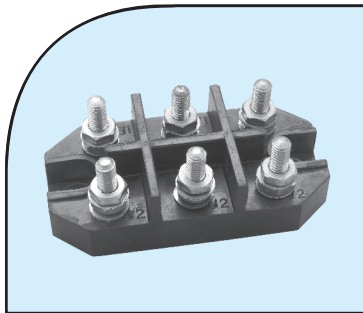
DRG. NO.	L	B	E	D	H	T
FI/TP 8/6T	75	47	64	7	38	M 6



Terminal Block suitable for Texmo 10 HP Motors

No. 2014

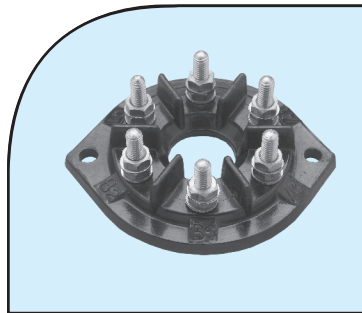
DRG. NO.	L	B	E	D	H	T
FI/TP 9/6T	80	52	68	8.5	35	M 6



Terminal Block suitable for Jyoti 10 HP Motors

No. 2015

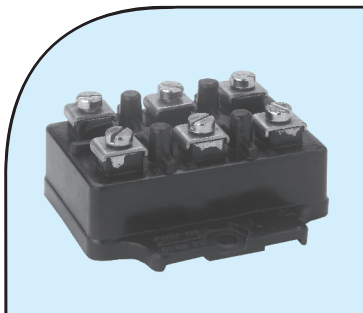
DRG. NO.	L	B	E	D	H	T
FI/TP 11/6T	87	44	68	9	32.5	M 6



Terminal Block suitable for AEI Motors

No. 2016

DRG. NO.	L	B	E	D	H	T
FI/TP 126	84	71	69	5	25	M 5



Terminal Block suitable for Siemens / Bharat Bijlee 5 HP (Old)

No. 2017

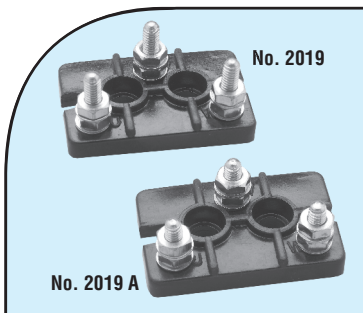
DRG. NO.	L	B	E	D	H
FI/TP 136	70	70	58	6	32



Terminal Block suitable for Siemens / Bharat Bijlee 10 HP (Old)

No. 2018

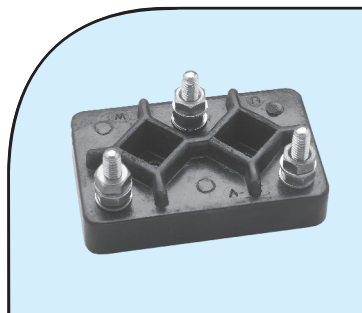
DRG. NO.	L	B	E	D	H
FI/TP 236	82	80	69	7	33



Terminal Block suitable for Siemens / Bharat Bijlee ½ HP, Laxmi ½ HP

No. 2019 & 2019-A

DRG. NO.	L	B	E	D	H	T
FI/TP/GR10 - 3T	43	27.5	15.5	6	23/20	M 4

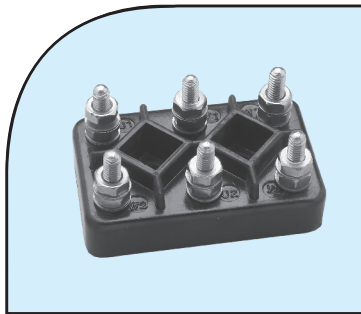


No. 2020

DRG. NO.	L	B	E	D	H	T
KM-4 / 3T	54	34	20.5	6.5	27	M 4

FOREMOST INDUSTRIAL PRODUCTS

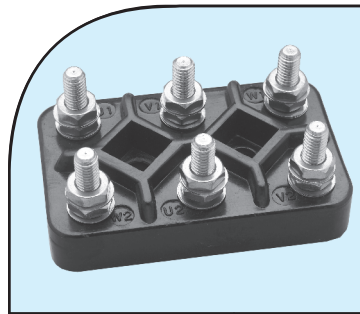
Terminal Blocks



Terminal Block
suitable for
Siemens 3 HP Motors

No. 2021

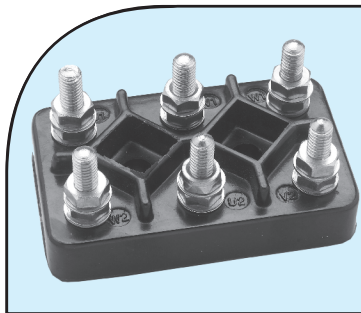
DRG. NO.	L	B	E	D	H	T
KM-4	54	34	20	6	27	M 4



Terminal Block
suitable for
Siemens 5 HP Motors

No. 2022

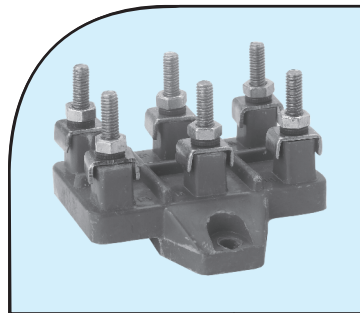
DRG. NO.	L	B	E	D	H	T
KM-5	64	40	23	7	31	M 5



Terminal Block
suitable for
Siemens 7.5-10 HP
Motors

No. 2023

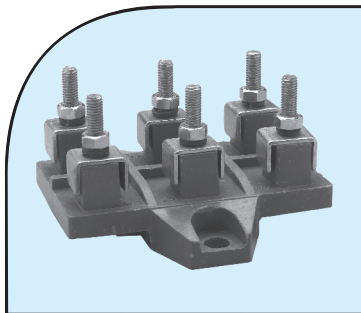
DRG. NO.	L	B	E	D	H	T
KM-6	77	48	28	7	33.5	M 6



Terminal Block
suitable for
Siemens / Bharat Bijlee
3 HP (New)

No. 2024 / 2724

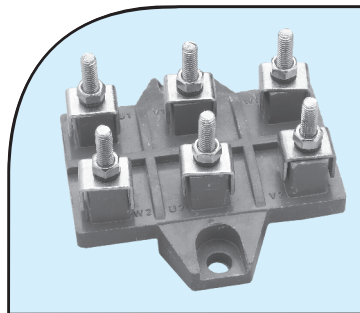
DRG. NO.	L	B	E	D	H	T
GK-130	59	57	51.5	4.5	38	M 4



Terminal Block
suitable for
Siemens / Bharat Bijlee
5 HP (New)

No. 2025 / 2725

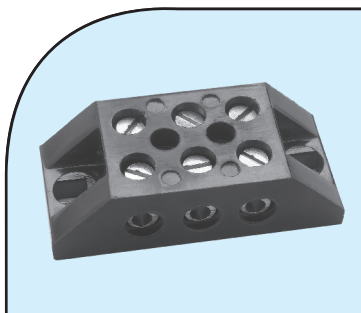
DRG. NO.	L	B	E	D	H	T
GK-230	70	66	60	6	38	M 4



Terminal Block
suitable for
Siemens / Bharat Bijlee
7.5-10 HP (New)

No. 2026 / 2726

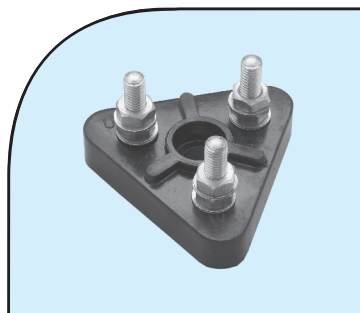
DRG. NO.	L	B	E	D	H	T
GK-330	81	81	70	7	47	M 5



Terminal Block
suitable for
Crompton 3 Pin
Connector

No. 2027

DRG. NO.	L	B	E	D	H
FI/TP 263	63	29	53	7 X 6	18.5



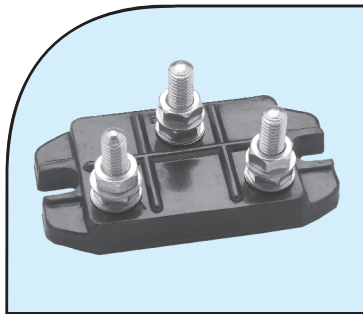
Terminal Block
suitable for Jyoti 3 HP,
BBC 3 HP, Laxmi 3 HP
& Spartan (Baltiboi)
3 HP

No. 2029

DRG. NO.	L	D	H	T
FI/TP TR/3T	49	7	27	M 5

FOREMOST INDUSTRIAL PRODUCTS

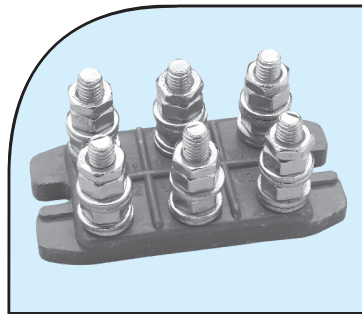
Terminal Blocks



**Terminal Block
suitable for
Kirloskar 3 HP
KH-100 Frame**

No. 2031

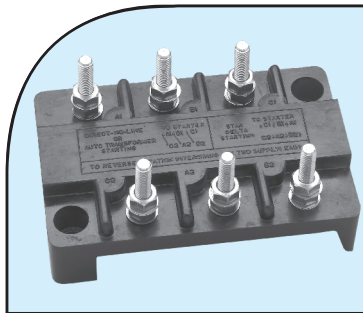
DRG. NO.	L	B	E	D	H	T
FI/TP 163	57.5	29	49	6.5	25.5	M 5



**Terminal Block
suitable for
Kirloskar 5-10 HP
KH-112 / KH-132 Frame**

No. 2032 / 2732

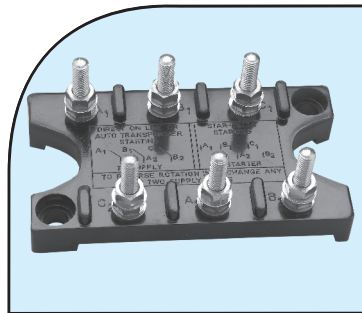
DRG. NO.	L	B	E	D	H	T
FI/TP 146	72	34	62.5	6.5	33	M 6



**Terminal Block
suitable for
Kirloskar 15-20 HP
(Old)**

No. 2033

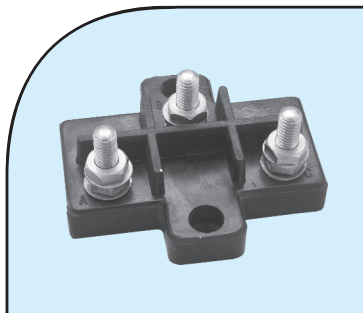
DRG. NO.	L	B	E	D	H	T
FI/TP 276	117	76	97	8	54	M 6



**Terminal Block
suitable for
Kirloskar 25-40 HP**

No. 2034

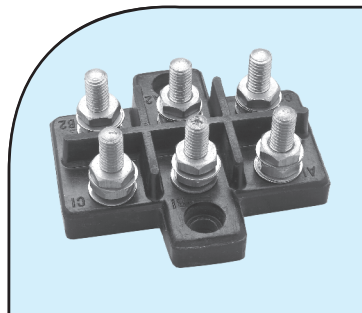
DRG. NO.	L	B	E	D	H	T
FI/TP 216	148	83	125	11	53	M 8



**Terminal Block
suitable for
New India 3 HP**

No. 2035

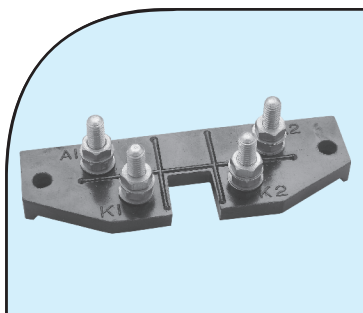
DRG. NO.	L	B	E	D	H	T
FI/TP CW/3T	67	60	47	6	30	M 6



**Terminal Block
suitable for
New India 5 HP**

No. 2036

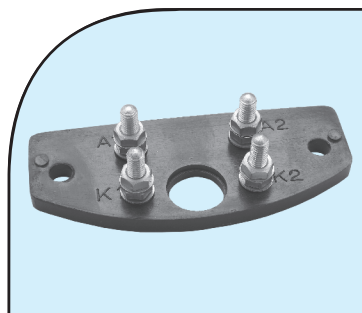
DRG. NO.	L	B	E	D	H	T
FI/TP CW/6T	67	62	47	7	30	M 6



**Terminal Block
suitable for
Single Phase Motors**

No. 2037

DRG. NO.	L	B	E	D	H	T
FI/TP S 44	92	30	80	5	26	M 5



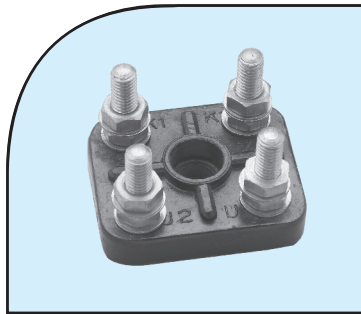
**Terminal Block
suitable for
Single Phase Motors**

No. 2038

DRG. NO.	L	B	E	D	H	T
FI/TP S 114	92	38	74	6.5	23	M 5

FOREMOST INDUSTRIAL PRODUCTS

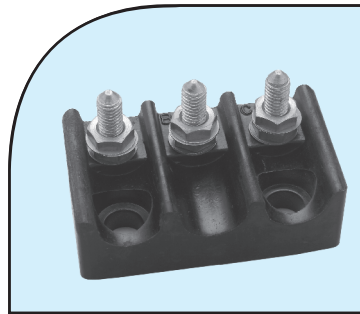
Terminal Blocks



**Terminal Block
suitable for
Single Phase Motors**

No. 2039

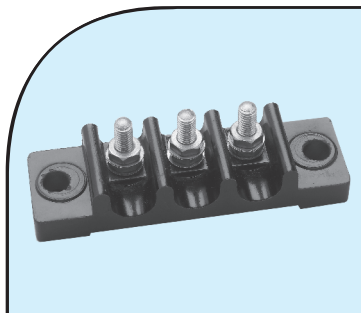
DRG. NO.	L	B	D	H	T
FI/TP S 204	39	33	7	25.5	M 5



**Terminal Block
suitable for
GEC / ALSTOM 3-5 HP**

No. 2043

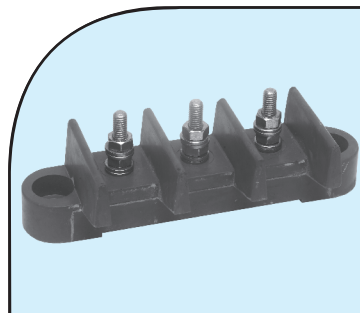
DRG. NO.	L	B	E	D	H	T
FI/TP 183	63	37	39	9	35	M 6



**Terminal Block
suitable for
GEC / ALSTOM 10 HP**

No. 2044

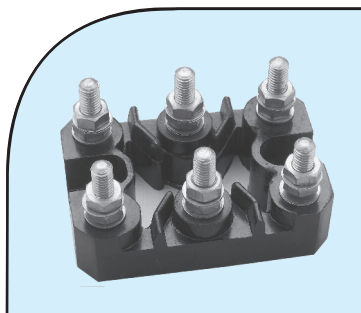
DRG. NO.	L	B	E	D	H	T
FI/TP 243	101	30	84	9	29	M 6



**Terminal Block
suitable for
GEC / ALSTOM 20 HP**

No. 2045

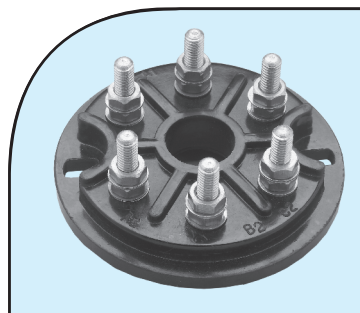
DRG. NO.	L	B	E	D	H	T
FI/TP 383	146	50	120	11	49	M 6



**Terminal Block
suitable for
GEC / ALSTOM
3-5 HP (New)**

No. 2046

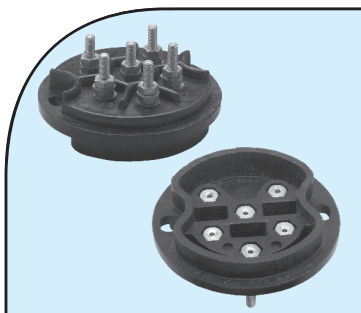
DRG. NO.	L	B	E	D	H	T
FI/TP 366	60.5	41	41	6.5	33	M 5



**Terminal Block
suitable for
NGEF 3 HP
(Moulded Inserts)**

No. 2047

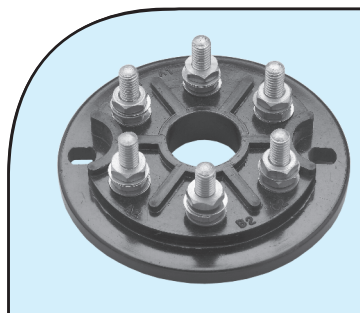
DRG. NO.	O/D	E	D	H	T
FI/TP 296	71	57	9 X 6	32	M 5



**Terminal Block
suitable for
NGEF 3 HP
with fitting**

No. 2047-A

DRG. NO.	O/D	E	D	H	T
FI/TP 296	71	58	9 X 7	36	M 4



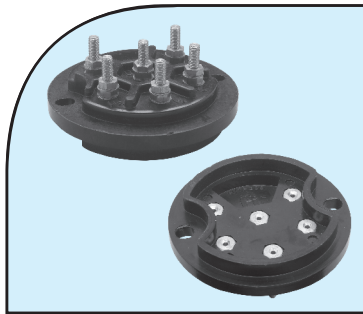
**Terminal Block
suitable for
NGEF 5-10 HP
(Moulded Inserts)**

No. 2048

DRG. NO.	O/D	E	D	H	T
FI/TP 306	88	72	9 X 6	34	M 6

FOREMOST INDUSTRIAL PRODUCTS

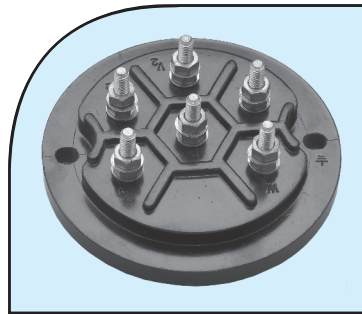
Terminal Blocks



Terminal Block suitable for NGEF 5-10 HP with fitting

No. 2048-A

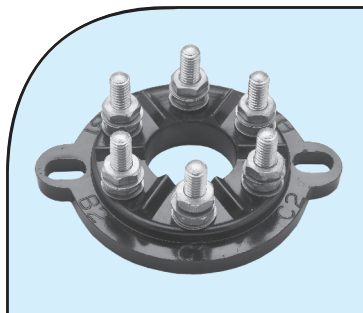
DRG. NO.	O/D	E	D	H	T
FI/TP 306	88	74	9 X 7	40	M 5



Terminal Block suitable for NGEF 20-40 HP

No. 2049

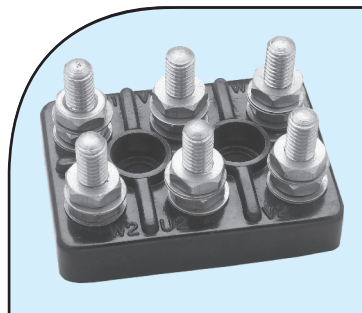
DRG. NO.	O/D	E	D	H	T
FI/TP 196	115	96	9 X 8	48	M 6



Terminal Block suitable for Worthington Simpson (Beacon)

No. 2050

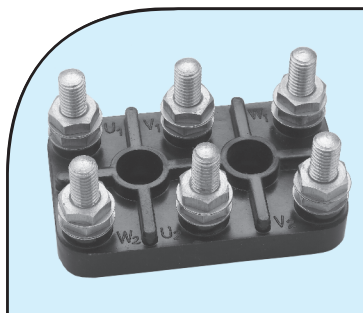
DRG. NO.	L	B	E	D	H	T
FI/TP 376	89	70	72	8 x 12	30	M 6



Terminal Block suitable for Spartan (Batliboi) 5 HP

No. 2053

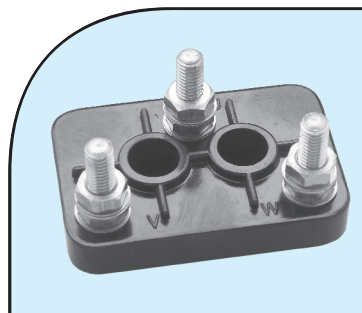
DRG. NO.	L	B	E	D	H	T
FI/TP 226	55	41	19.5	7	29.5	M 6



Terminal Block suitable for HBB/ABB 15-25 HP

No. 2054

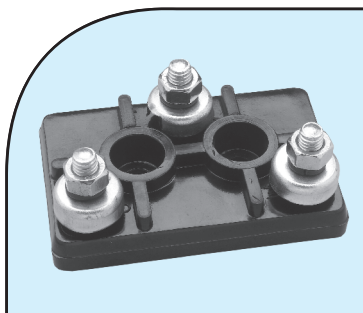
DRG. NO.	L	B	E	D	H	T
FI/TP 346	84	52	32	8	43	M 8



Terminal Block suitable for Remi Motors

No. 2055

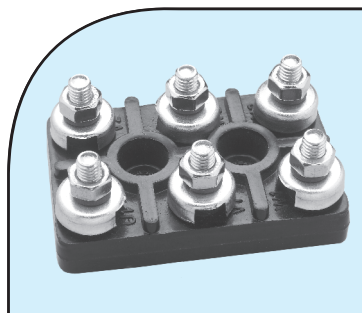
DRG. NO.	L	B	E	D	H	T
FI/TP R/3T	50	33	16	5	33	M 5



Terminal Block suitable for Crompton 3 HP Motors

No. 2058

DRG. NO.	L	B	E	D	H	T
2058	73	46	25	7	36	M 6



Terminal Block suitable for Crompton 5-10 HP Motors

No. 2059

DRG. NO.	L	B	E	D	H	T
2059	73	46	25	7	36	M 6

FOREMOST INDUSTRIAL PRODUCTS

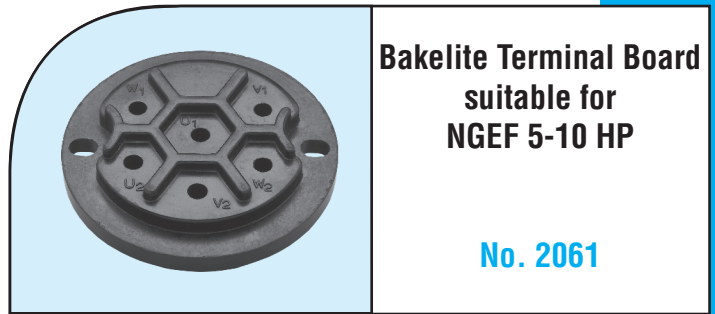
Terminal Blocks



**Bakelite Terminal Board
suitable for
NGEF 3 HP**

No. 2060

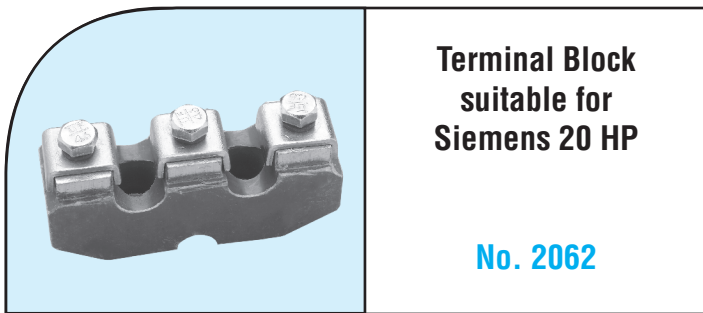
DRG. NO.	O/D	E	D	H
2060	71	58	9 X 7	22



**Bakelite Terminal Board
suitable for
NGEF 5-10 HP**

No. 2061

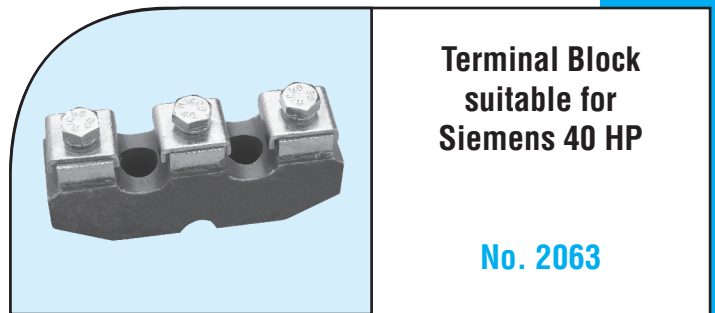
DRG. NO.	O/D	E	D	H
2061	88	74	9 x 7	25



**Terminal Block
suitable for
Siemens 20 HP**

No. 2062

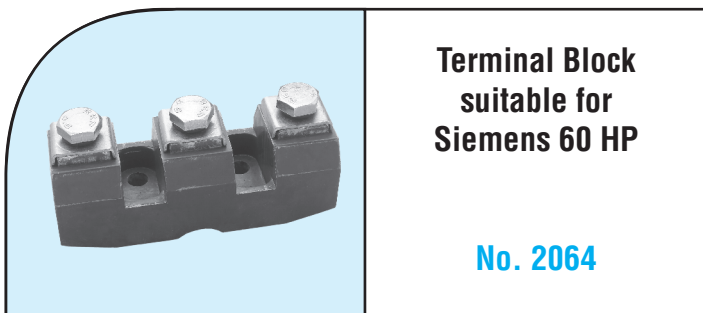
DRG. NO.	L	B	E	D	H	T
2062	81	24	30	7	42	M 6



**Terminal Block
suitable for
Siemens 40 HP**

No. 2063

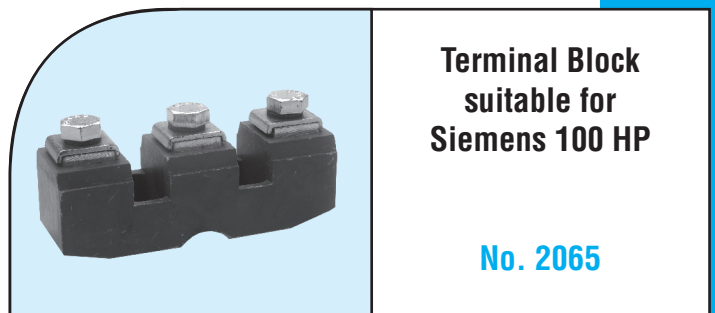
DRG. NO.	L	B	E	D	H	T
2063	106	29	38	9	51	M 8



**Terminal Block
suitable for
Siemens 60 HP**

No. 2064

DRG. NO.	L	B	E	D	H	T
2064	123	43	47	9	58	M 10



**Terminal Block
suitable for
Siemens 100 HP**

No. 2065

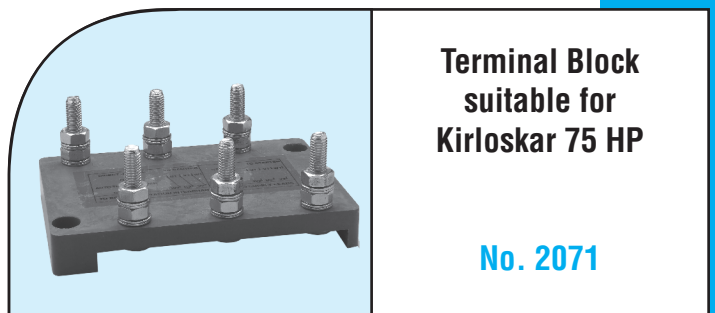
DRG. NO.	L	B	E	D	H	T
2065	144	46	54	10	65	M 12



**Terminal Block
suitable for
Siemens 2 HP**

No. 2067

DRG. NO.	L	B	E	D	H	T
FI/TPGR-10/6T	43	27.5	15.5	6	23	M 4



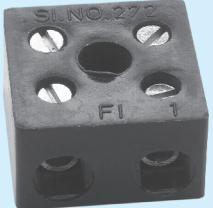
**Terminal Block
suitable for
Kirloskar 75 HP**

No. 2071

DRG. NO.	L	B	E	D	H	T
2071	178	123	158	10	68	M 10

FOREMOST INDUSTRIAL PRODUCTS


Terminal Blocks

Terminal Block suitable for Sharp 2 Pin Connector

No. 2072

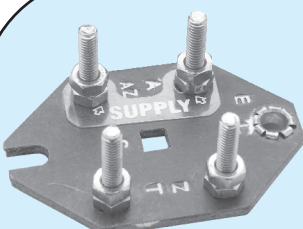
DRG. NO.	L	B	D	H
2072	24	24	5	14



Terminal Block suitable for 2 Pin Connector Nylon

No. 2072-B

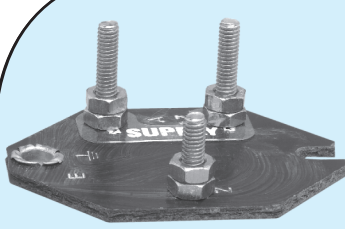
DRG. NO.	L	B	D	H
2072-B	24	22	4	13.5



Terminal Block suitable for Crompton Single Phase 4 Pt

No. 2073

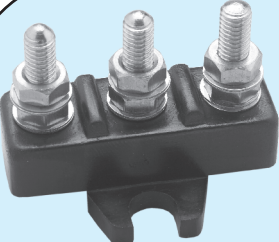
DRG. NO.	L	B	E	D	H	T
2073	57.2	38.7	48	5	23.5	M 4



Terminal Block suitable for Crompton Single Phase 3 Pt

No. 2073-A


DRG. NO.	L	B	E	D	H	T
2073-A	57.2	38.7	48	5	23.5	M 4



Terminal Block suitable for Kirloskar 1-2 HP

No. 2074


DRG. NO.	L	B	E	D	H	T
2074	32.5	43	26	7	32.5	M 5



Terminal Block suitable for Crompton Flame Proof

No. 2076

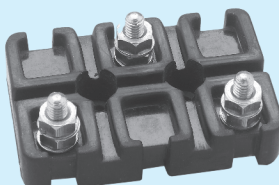
DRG. NO.	L	B	SLEEVE DIAMETER	H	T
2076	28	23	10.9 - 11	80	M 6



Terminal Block suitable for Crompton Flame Proof

No. 2076-A

DRG. NO.	L	B	SLEEVE DIAMETER	H	T
2076 - A	33	29	16 - 16.2	84	M 8



Terminal Block suitable for Siemens 1 HP (New)

No. 2077

DRG. NO.	L	B	E	D	H	T
GK 030	51	34	18	5	25	M 4

FOREMOST INDUSTRIAL PRODUCTS


Terminal Blocks




**Terminal Block
suitable for
New 3 Pin Connector**

No. 2078

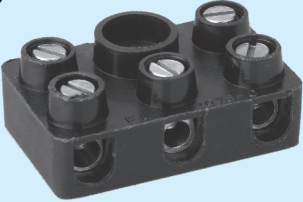
DRG. NO.	L	B	E	D	H
2078	35	24	12	4	14



**Terminal Block
suitable for
New 3 Pin Connector**

No. 2078-B

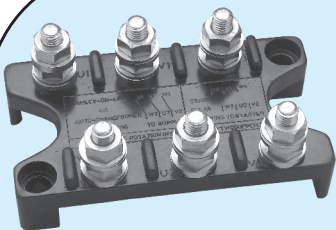
DRG. NO.	L	B	E	D	H
2078-B	35	22	11.5	4	13



**Terminal Block
suitable for New
3 Pin Connector
Single Hole**

No. 2078-C


DRG. NO.	L	B	D	H
2078-C	35	22	5	13



**Terminal Block
suitable for
Kirloskar 40-60 HP**

No. 2079 / 2779


DRG. NO.	L	B	E	D	H	T
2079	149	83	126	11	60	M 10



**Terminal Block
2 PT**

No. 2080

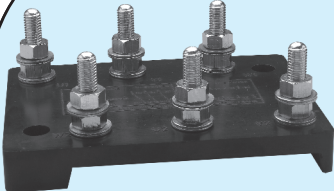
DRG. NO.	L	B	D	H	T
2080	28	28	5	20	M 4



**Terminal Block
2/3 T (6 mm)**

No. 2081

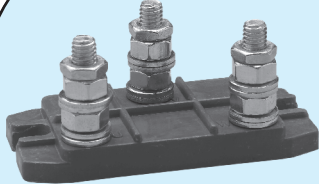
DRG. NO.	L	B	E	D	H	T
2081	55	40	20	7	30	M 6



**Terminal Block
suitable for
Kirloskar 100 HP**

No. 2082

DRG. NO.	L	B	E	D	H	T
2082	200	150	158	10	77	M 12



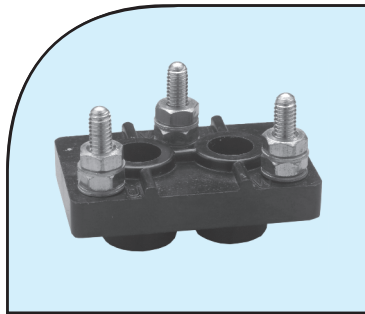
**Terminal Block
FI/TP 146
(3 Studs)**

No. 2083

DRG. NO.	L	B	E	D	H	T
2083	72.5	34	62.5	6	33	M 6

FOREMOST INDUSTRIAL PRODUCTS

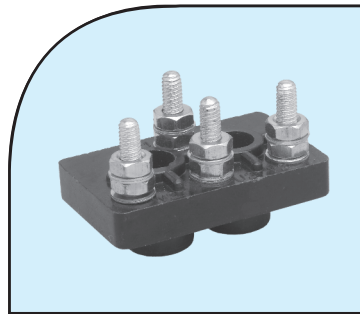
Terminal Blocks



**Terminal Block
FI/TP GR-10/3T
(REMI)**

No. 2084

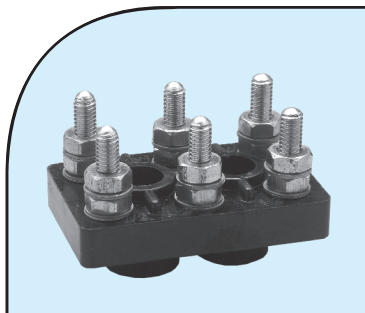
DRG. NO.	L	B	E	D	H	T
2084	43	27	16	5	29	M 4



**Terminal Block
FI/TP GR-10/4T
(REMI)**

No. 2085

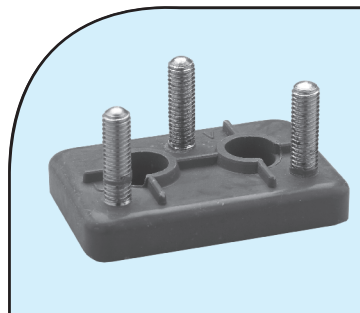
DRG. NO.	L	B	E	D	H	T
2085	43	27	16	5	29	M 4



**Terminal Block
FI/TP GR-10/6T
(REMI)**

No. 2086

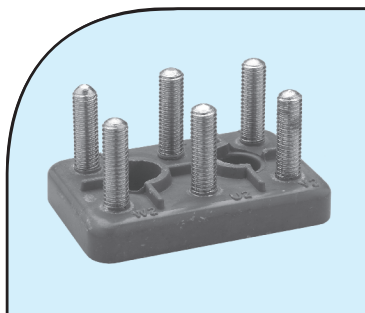
DRG. NO.	L	B	E	D	H	T
2086	43	27	16	5	29	M 4



**Terminal Block
FI/TP 1/3 T
(20 mm CD)**

No. 2087

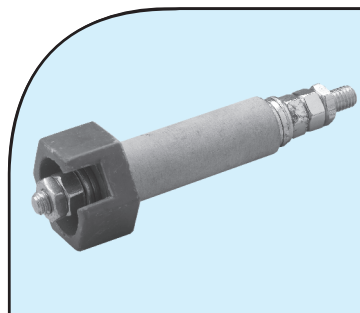
DRG. NO.	L	B	E	D	H	T
2087	48	32	20	5	25	M 5



**Terminal Block
FI/TP 1/6 T
(20 mm CD)**

No. 2088

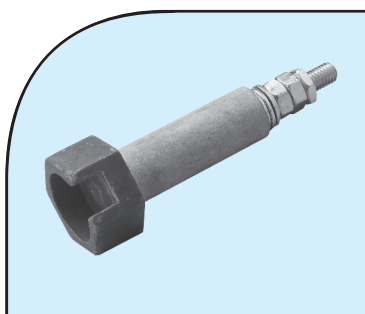
DRG. NO.	L	B	E	D	H	T
2088	48	32	20	5	25	M 5



**Terminal Block
suitable for
Laxmi Flameproof**

No. 2089

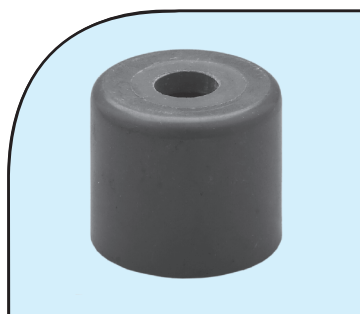
DRG. NO.	A/C	A/F	SLEEVE DIAMETER	H	T
2089	28	24	14.9 TO 14.98	89	M 6



**Terminal Block
suitable for
Laxmi Flameproof**

No. 2090

DRG. NO.	A/C	A/F	SLEEVE DIAMETER	H	T
2090	28	24	14.9 TO 14.98	83	M 6



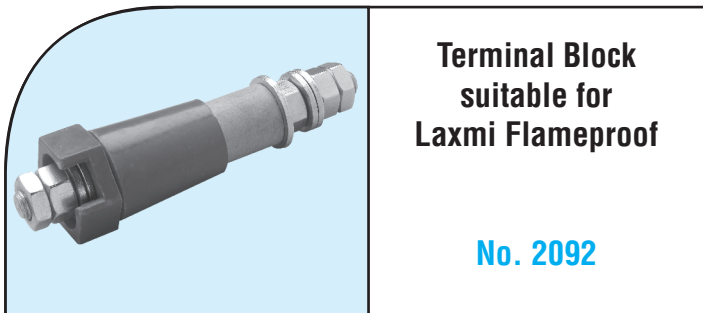
**Terminal Cap
suitable for
Laxmi Flameproof**

No. 2091

DRG. NO.	ID	O. D.	H
2091	6.5	21.5	18.5

FOREMOST INDUSTRIAL PRODUCTS

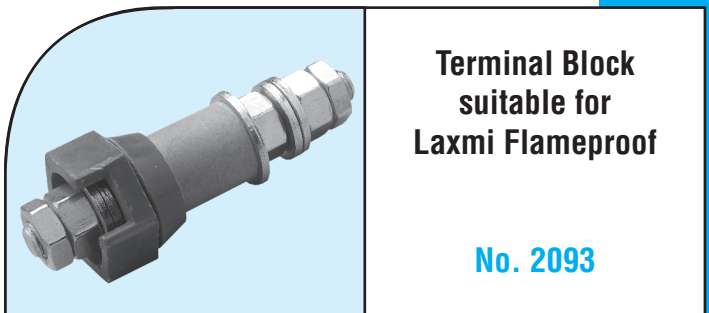
Terminal Blocks



**Terminal Block
suitable for
Laxmi Flameproof**

No. 2092

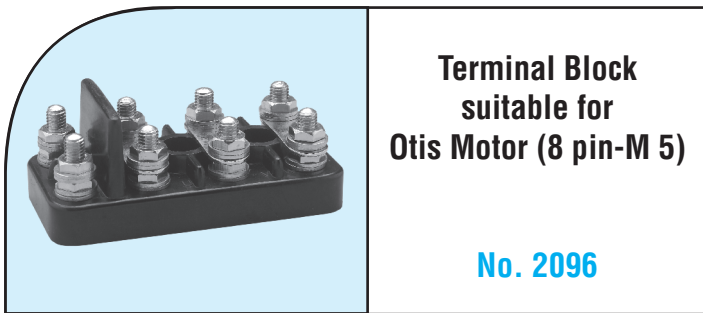
DRG. NO.	A/C	A/F	SLEEVE DIAMETER	H	T
2092	41	36	24.9 TO 25	141	M 12



**Terminal Block
suitable for
Laxmi Flameproof**

No. 2093

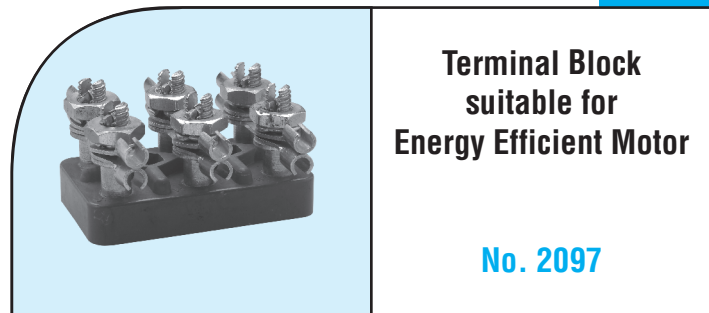
DRG. NO.	A/C	A/F	SLEEVE DIAMETER	H	T
2093	41	36	24.9 TO 25	109	M 12



**Terminal Block
suitable for
Otis Motor (8 pin-M 5)**

No. 2096

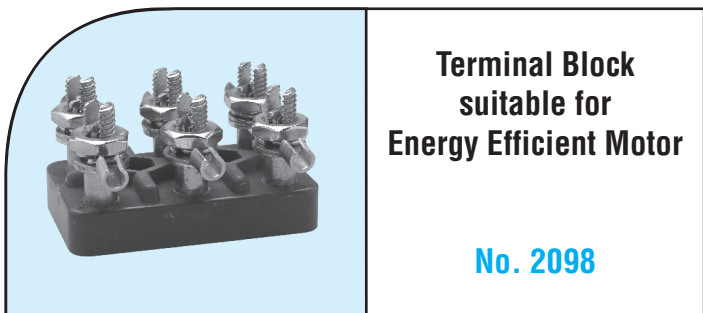
DRG. NO.	L	B	E	D	H	T
2096	74	36	20	5.5	30	M 5



**Terminal Block
suitable for
Energy Efficient Motor**

No. 2097

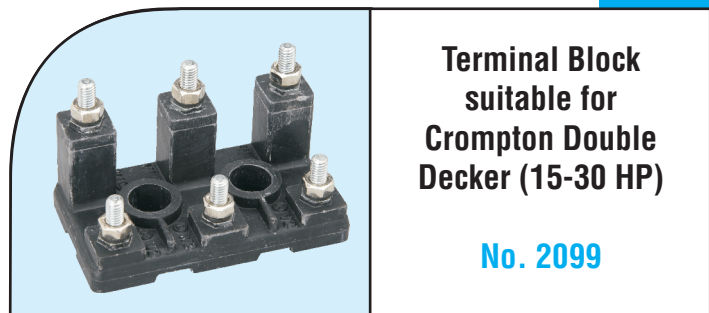
DRG. NO.	L	B	E	D	H	T
2097	69	43	26	6.3	43	M 8



**Terminal Block
suitable for
Energy Efficient Motor**

No. 2098

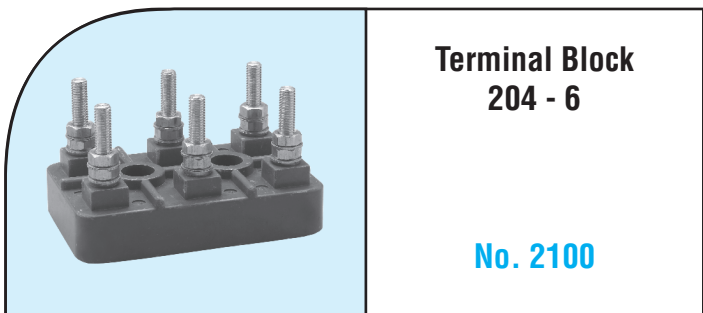
DRG. NO.	L	B	E	D	H	T
2098	78	48	28	7	48	M 10



**Terminal Block
suitable for
Crompton Double
Decker (15-30 HP)**

No. 2099

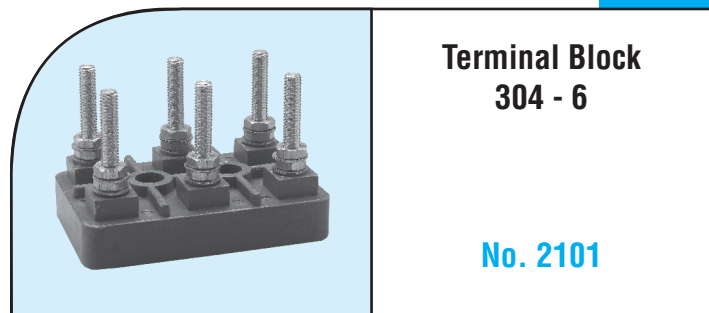
DRG. NO.	L	B	E	D	H	T
2099	91	51	36	9	62	M 6



**Terminal Block
204 - 6**

No. 2100

DRG. NO.	L	B	E	D	H	T
2100	76	48	28	5.5	45	M 5



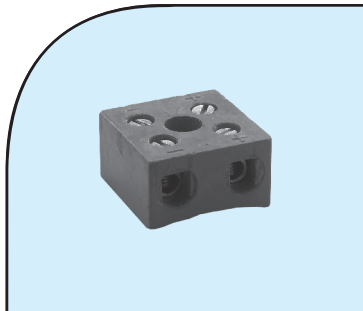
**Terminal Block
304 - 6**

No. 2101

DRG. NO.	L	B	E	D	H	T
2101	85	55	28	5.5	57	M 6

FOREMOST INDUSTRIAL PRODUCTS

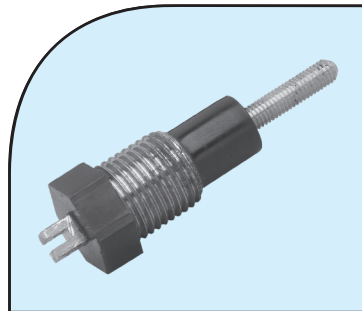
Terminal Blocks



**Terminal Block
2 pin Connector
with radius**

No. 2102

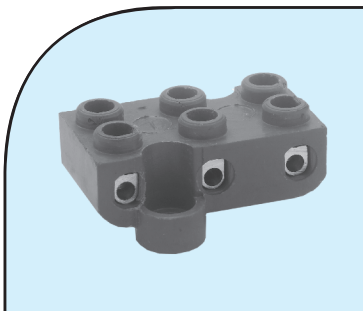
DRG. NO.	L	B	D	H
2102	24	24	5	14



**Terminal Block
suitable for Remi
Flameproof M-5**

No. 2105

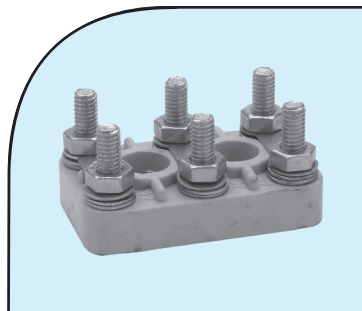
DRG. NO.	A/C	A/F	SLEEVE DIAMETER	H	T
2105	20	17	M 16	65	M 5



**Terminal Block
suitable for
3 Pin Conector New**

No. 2107

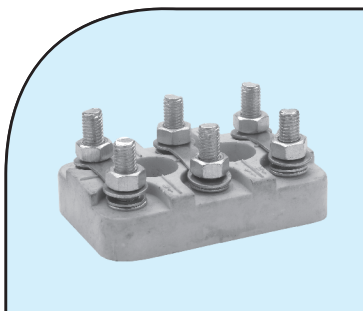
DRG. NO.	L	B	D	H
2107	36	20	4.5	16.5



**Terminal Block
suitable for
Havells 56-80 frame**

No. 2109

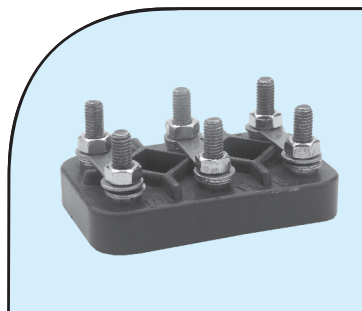
DRG. NO.	L	B	E	D	H	T
2109	40	25	15	7x6	21.5	M 4



**Terminal Block
suitable for
Havells 90-112 frame**

No. 2110

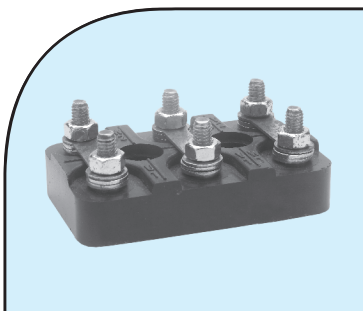
DRG. NO.	L	B	E	D	H	T
2110	56	36	20	9x6	27	M 5



**Terminal Block
suitable for
Havells 132 frame**

No. 2111

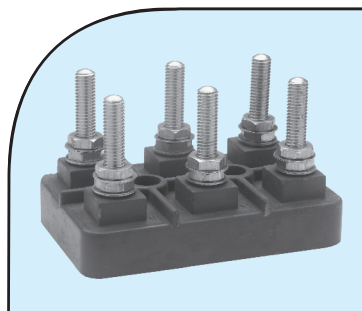
DRG. NO.	L	B	E	D	H	T
2111	64	40	23	6	27	M 5



**Terminal Block
suitable for
Havells 160 frame**

No. 2112

DRG. NO.	L	B	E	D	H	T
2112	82	52	30	12x6.5	33.5	M 6



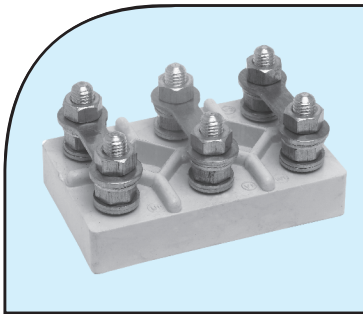
**Terminal Block
404 - 6**

No. 2113

DRG. NO.	L	B	E	D	H	T
2113	104	68	35	6.6	65	M 8

FOREMOST INDUSTRIAL PRODUCTS

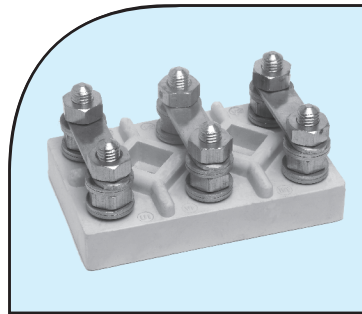
Terminal Blocks



**Terminal Block
suitable for
Havells 180-200 frame**

No. 2114

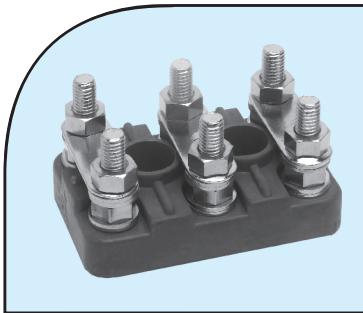
DRG. NO.	L	B	E	D	H	T
2114	96	60	35	7	48	M 8



**Terminal Block
suitable for
Havells 225-250 frame**

No. 2115

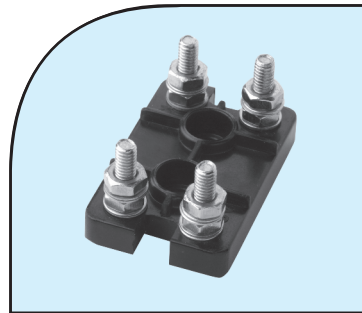
DRG. NO.	L	B	E	D	H	T
2115	120	75	45	9	57	M 10



**Terminal Block
suitable for
Kirloskar PM series**

No. 2116

DRG. NO.	L	B	E	D	H	T
2116	54	34	20	6.5	29.5	M 5



**Terminal Block
suitable for
Single Phase Motors**

No. 2117

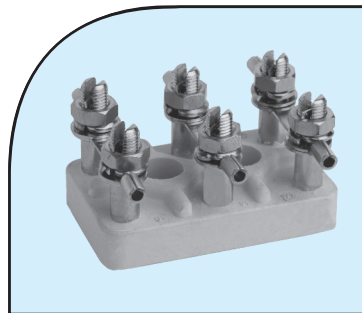
DRG. NO.	L	B	E	D	H	T
2117	43	27	15.5	6	23.5	M 4



**Terminal Block
suitable for
2 Pin Connector Small**

No. 2118

DRG. NO.	L	B	D	H
2118	18	17	4	13.5



**Terminal Block
suitable for
Energy Efficient Motor**

No. 2119

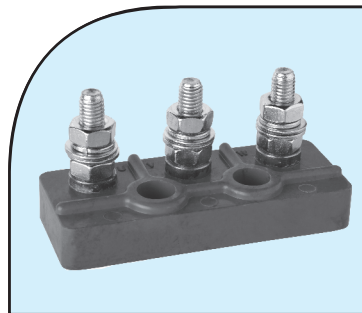
DRG. NO.	L	B	E	D	H	T
2119	60	37	20	6	38	M 7



**Terminal Block
suitable for
Lakshmi 160 Frame**

No. 2120

DRG. NO.	L	B	E	D	H	T
2120	78	48	28	7	36	M 6

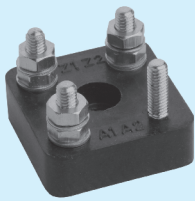


No. 2121

DRG. NO.	L	B	E	D	H	T
2121	120	48	40	9	58	M 10

FOREMOST INDUSTRIAL PRODUCTS

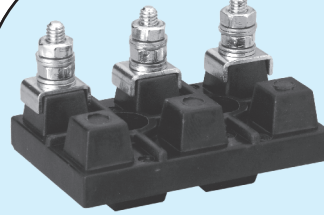
Terminal Blocks



**Terminal Block
suitable for
Single Phase Motors**

No. 2122

DRG. NO.	L	B	D	H	T
2122	30	30	6	22	M 4



**Terminal Block
suitable for Kirloskar
1 HP (Y Series)
KI-80 3 Stud**

No. 2123

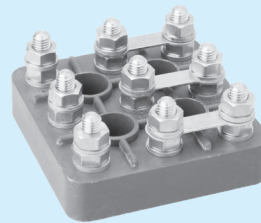
DRG. NO.	L	B	E	D	H	T
2123	56	36	21	5.8	35	M 4



**Terminal Block
suitable for
TB 40 x 40 9 studs**

No. 2124

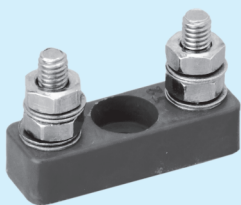
DRG. NO.	L	B	E	D	H	T
2124	40	40	15	4.5	23	M 4



**Terminal Block
suitable for
TB 56 x 56 9 studs**

No. 2125

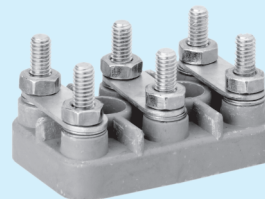
DRG. NO.	L	B	E	D	H	T
2125	56	56	20	5.5	27.5	M 5



**Terminal Block
suitable for
Thermister T Block**

No. 2126

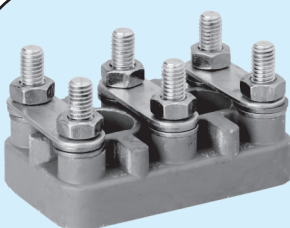
DRG. NO.	L	B	D	H	T
2126	30	10	4.5	19	M 4



**Terminal Block
suitable for
ABB 63-80 Frame**

No. 2127

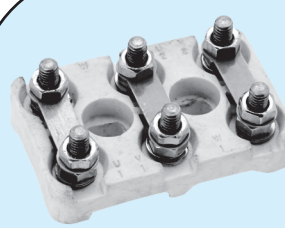
DRG. NO.	L	B	E	D	H	T
2127	43	27	16	4.8	26	M 4



**Terminal Block
suitable for
ABB 90-132 Frame**

No. 2128

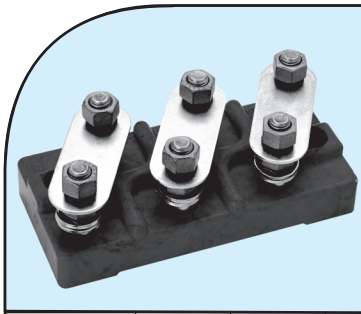
DRG. NO.	L	B	E	D	H	T
2128	52	32	20	9x7	30	M 5



**Terminal Block
50 x 32 (M 4)**

No. 2129

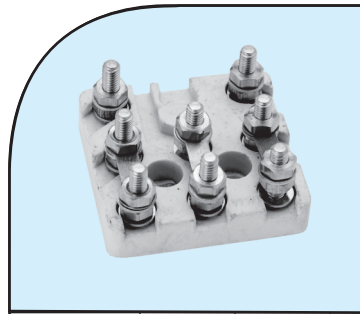
DRG. NO.	L	B	E	D	H	T
2129	50	32	18	8x5.5	21.5	M 4



**Terminal Block
175 x 82 (M 12)**

No. 2130

DRG. NO.	L	B	E	D	H	T
2130	175	82	142	13x11	67	M 12



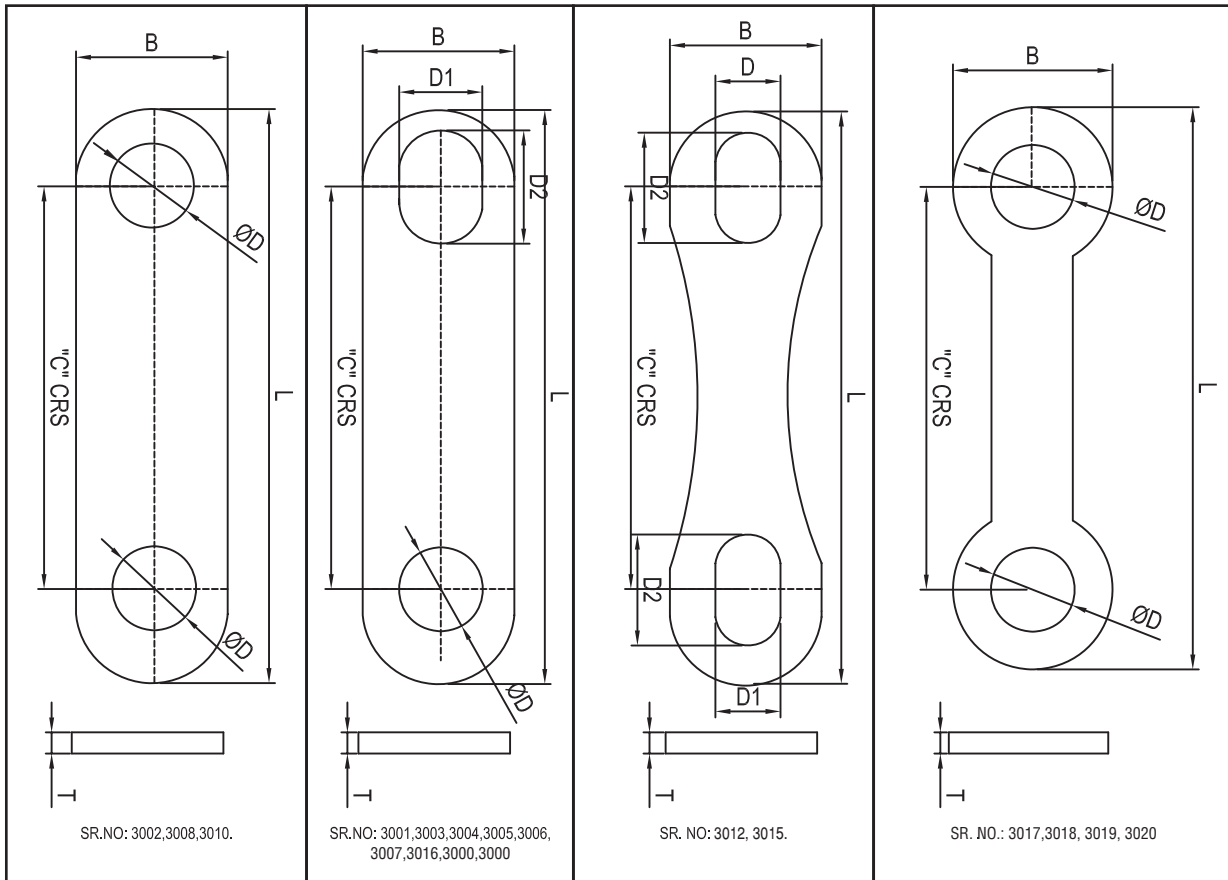
**Terminal Block
suitable for
TB 44 x 42 8 studs**

No. 2131

DRG. NO.	L	B	E	D	H	T
2131	44	42	15	6x5.2	24	M 4

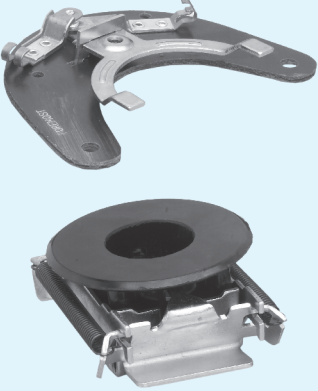
FOREMOST INDUSTRIAL PRODUCTS

Shorting Links



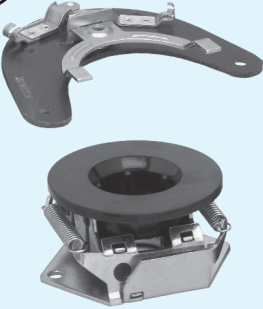
SR NO.	MATERIAL	SUITABLE FOR	L	B	'C' CRS	ØD	D1 x D2	T
3001	BRASS	FI/TP 1/6T, KM-4	28.5	9	18	6	(6 x 7.5)	0.5
3002	BRASS	FI/TP 2/6T, KM-5, GK-130	31.0	10	21.5	6.5	-	0.5
3003	BRASS	FI/TP 3/6T, KM-6, 2059	37.5	11	25.0	7	(7 x 11)	0.5
3004	BRASS	FI/TP 4/6T, FI/TP 5/6 T	43.5	11.5	31.0	6.5	(6.5 x 10)	0.8
3005	BRASS	FI/TP 6/6T	54	16	36.0	9	(9 x 13)	0.8
3006	BRASS	FI/TP 7/6T	62	16	44.0	9	(9 x 13)	0.8
3007	COPPER	FI/TP 8/6T (OLD)	40.5	12	25.0	6.5	(6.3 x 12.8)	1.5
3008	COPPER	FI/TP 146	32	12	20.0	7	-	1.0
3010	BRASS	FI/TP GR-10/6T	24.0	8	16.0	5	-	0.5
3012	BRASS	FI/TP 226	32.0	11	20.0	(6.3 x 9)	(6.3 x 9)	0.5
3015	BRASS	96 X 60 (2114)	54.0	18	36.0	(8.4 x 9.5)	(8.4 x 9.5)	2.0
3016	BRASS	120 X 75 (2115)	64.0	16	45.0	10.3	-	2.5
3017	BRASS	56 X 36 (2110)	30	10	20.0	5.3	-	0.7
3018	BRASS	40 X 25 (2109)	23	8	15.0	4.3	-	0.5
3019	BRASS	64 X 40 (2111)	33.0	10	23.0	5.3	-	0.7
3020	BRASS	82 X 52 (2112), GK-330	42.5	12.5	30.0	6.4	-	1.0
3301	BRASS	54 x 34 (2116)	30.0	10.0	19.0	(5 x 7)	(5 x 7)	0.8
3302	BRASS	78 x 48 (2120), 8/6 T (NEW)	44.0	12.0	30.0	6.5	(6.5 x 13)	0.5

Centrifugal Switches



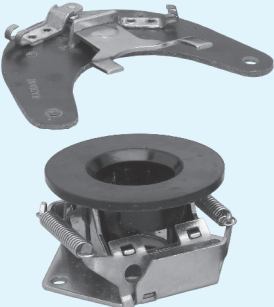
FIXING HOLE CENTRE 76 mm

- **3021** CS-1 (B) TYPE (22 mm) 1500 RPM 1 HP (BELGIUM TYPE)
- **3021-A** CS-1 1 HP BOARD ONLY
- **3021-B** CS-1 (B) TYPE (22 mm) 1500 RPM GOVERNOR ONLY
- **3022** CS-1 (B) TYPE (22 mm) 1500 RPM 3 HP (BELGIUM TYPE)
- **3022-A** CS-1 3 HP BOARD ONLY
- **3023** CS-1 (N) TYPE (22 mm) 1500 RPM 1 HP (BELGIUM TYPE)
- **3023-B** CS-1 (N) TYPE (22 mm) 1500 RPM GOVERNOR ONLY
- **3024** CS-1 (N) TYPE (22 mm) 1500 RPM 3 HP (BELGIUM TYPE)
- **3027** CS-1 (MSP) TYPE (22 mm) 3000 RPM 1 HP (BELGIUM TYPE)
- **3027-B** CS-1 (MSP) TYPE (22 mm) 3000 RPM GOVERNOR ONLY
- **3028** CS-1 (MSP) TYPE (22 mm) 3000 RPM 3 HP (BELGIUM TYPE)
- **3029** CS-1 (S) TYPE (22 mm) 3000 RPM 1 HP (BELGIUM TYPE)
- **3029-B** CS-1 (S) TYPE (22 mm) 3000 RPM GOVERNOR ONLY
- **3030** CS-1 (S) TYPE (22 mm) 3000 RPM 3 HP (BELGIUM TYPE)
- **3031** CS-1 (22 mm) 1000 RPM 1 HP (BELGIUM TYPE)
- **3031-B** CS-1 (22 mm) 1000 RPM GOVERNOR ONLY
- **3032** CS-1 (22 mm) 1000 RPM 3 HP (BELGIUM TYPE)
- **3093** CS-1 (B) TYPE (22 mm) 1500 RPM 5 HP (BELGIUM TYPE)
- **3093-A** CS-1 5 HP BOARD ONLY



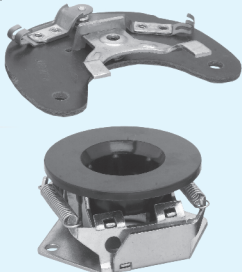
FIXING HOLE CENTRE 76 mm

- **3035** CS-3 (BB) TYPE (19 mm) 1500 RPM 1 HP
- **3035-B** CS-3 (BB) TYPE (19 mm) 1500 RPM GOVERNOR ONLY
- **3036** CS-3 (BB) TYPE (19 mm) 1500 RPM 3 HP
- **3037** CS-3 (BB) TYPE (19 mm) 3000 RPM 1 HP
- **3037-B** CS-3 (BB) TYPE (19 mm) 3000 RPM GOVERNOR ONLY
- **3038** CS-3 (BB) TYPE (19 mm) 3000 RPM 3 HP



FIXING HOLE CENTRE 76 mm

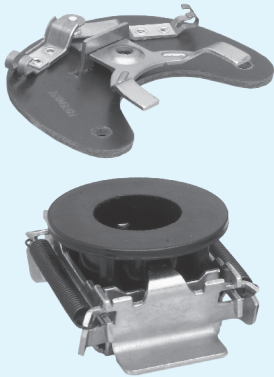
- **3039** CS-4 (BB) TYPE (19 mm) 1500 RPM 1 HP LONG LEVER
- **3039-A** CS-4 (BB) TYPE LONG LEVER 1 HP BOARD ONLY
- **3040** CS-4 (BB) TYPE (19 mm) 1500 RPM 3 HP LONG LEVER
- **3040-A** CS-4 (BB) TYPE LONG LEVER 3 HP BOARD ONLY
- **3041** CS-4 (BB) TYPE (19 mm) 3000 RPM 1 HP LONG LEVER
- **3042** CS-4 (BB) TYPE (19 mm) 3000 RPM 3 HP LONG LEVER



FIXING HOLE CENTRE 56.5 mm

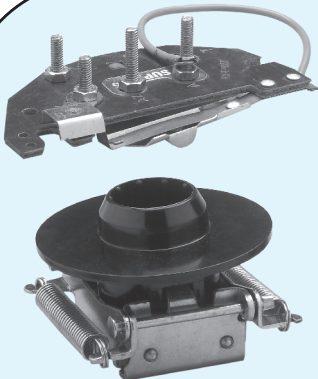
- **3043** CS-6 (BB) TYPE (19 mm) 1500 RPM 1 HP MINI BOARD
- **3044** CS-6 (BB) TYPE (19 mm) 1500 RPM 3 HP MINI BOARD
- **3045** CS-6 (BB) TYPE (19 mm) 3000 RPM 1 HP MINI BOARD
- **3046** CS-6 (BB) TYPE (19 mm) 3000 RPM 3 HP MINI BOARD

Centrifugal Switches



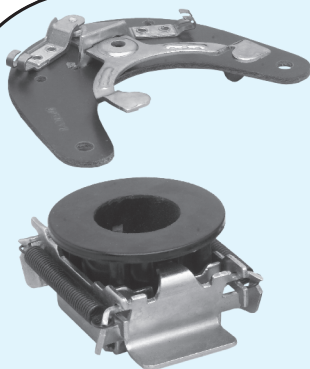
FIXING HOLE CENTRE 56.5 mm

- 3047 CS-7 MINI TYPE (19 mm) 1500 RPM 1 HP (BELGIUM TYPE)
- 3047-A CS-7 MINI TYPE 1 HP BOARD ONLY
- 3047-B CS-7 MINI TYPE (19 mm) 1500 RPM GOVERNOR ONLY
- 3048 CS-7 MINI TYPE (19 mm) 1500 RPM 3 HP (BELGIUM TYPE)
- 3048-A CS-7 MINI TYPE 3 HP BOARD ONLY
- 3049 CS-7 MINI TYPE (19 mm) 3000 RPM 1 HP (BELGIUM TYPE)
- 3049-B CS-7 MINI TYPE (19 mm) 3000 RPM GOVERNOR ONLY
- 3050 CS-7 MINI TYPE (19 mm) 3000 RPM 3 HP (BELGIUM TYPE)



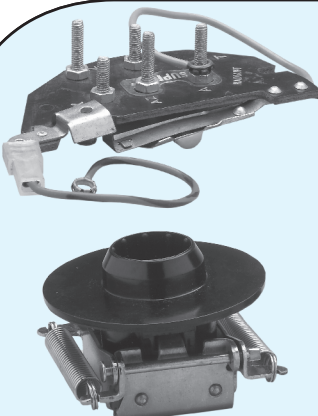
FIXING HOLE CENTRE 72.5 mm

- 3053 CS-9 CROMPTON TYPE 1500 RPM 4 POINT
- 3053-A CS-9 CROMPTON TYPE 4 POINT BOARD ONLY
- 3053-B CS-9 CROMPTON TYPE (19 mm) 1500 RPM GOVERNOR ONLY
- 3058 CS-9 CROMPTON TYPE 3000 RPM 4 POINT
- 3058-B CS-9 CROMPTON TYPE (19 mm) 3000 RPM GOVERNOR ONLY
- 3095 CS-9 CROMPTON TYPE 1500 RPM 4 POINT 5 HP
- 3095-A CS-9 CROMPTON TYPE 4 POINT 5 HP BOARD ONLY



FIXING HOLE CENTRE 76 mm

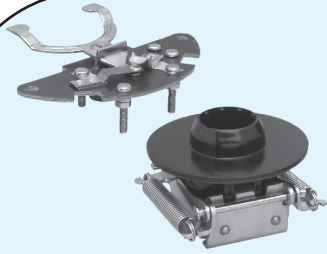
- 3059 CS-8 1500 RPM 1 HP CRAB LEVER WITH 19 mm GOVERNOR
- 3059-A CS-8 CRAB LEVER 1 HP BOARD ONLY
- 3060 CS-8 1500 RPM 3HP CRAB LEVER WITH 19 mm GOVERNOR
- 3060-A CS-8 CRAB LEVER 3 HP BOARD ONLY



FIXING HOLE CENTRE 72.5 mm

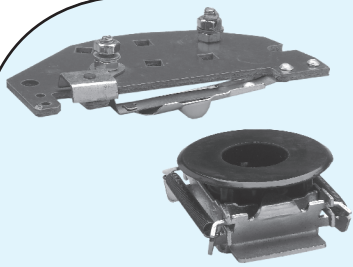
- 3061 CS-10 CROMPTON TYPE STARTER RUN 1500 RPM (19 mm) (DOUBLE POINT)
- 3061-A CS-10 CROMPTON TYPE STARTER RUN BOARD ASSEMBLY ONLY (DOUBLE POINT)

Centrifugal Switches



FIXING HOLE CENTRE 92 mm

- 3062 CS-11 GE 1500 RPM 1HP WITH CROMPTON GOVERNOR (19 mm)
- 3062-A CS-11 GE BOARD ASSEMBLY ONLY



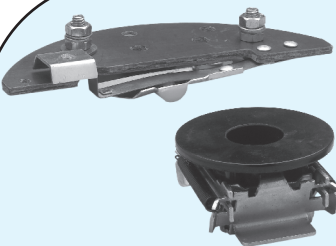
FIXING HOLE CENTRE 80 mm

- 3068 CS-17 C TYPE 1500 RPM (22 mm)
- 3068-A CS-17 C TYPE BOARD ASSEMBLY ONLY



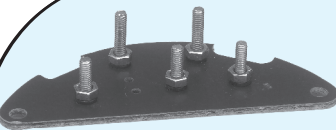
FIXING HOLE CENTRE 76 mm

- 3069 CS-18 1500 RPM 1 HP CRAB LEVER WITH BIG GOVERNOR (22 mm)
- 3070 CS-18 1500 RPM 3 HP CRAB LEVER WITH BIG GOVERNOR (22 mm)
- 3071 CS-18 3000 RPM 1 HP CRAB LEVER WITH BIG GOVERNOR (22 mm)
- 3072 CS-18 3000 RPM 3 HP CRAB LEVER WITH BIG GOVERNOR (22 mm)



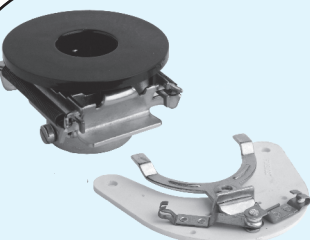
FIXING HOLE CENTRE 20 mm

- 3075 CS-21 C TYPE SMALL 1500 RPM (19 mm)
- 3075-A CS-21 C TYPE SMALL BOARD ASSEMBLY ONLY



FIXING HOLE CENTRE 92 mm

- 3081 CS-29 GE NEW BOARD ASSEMBLY



FIXING HOLE CENTRE 76 mm

- 3090 CS-29 1500 RPM 3HP (22 mm) WITH RING
- 3090-A CS-29 3HP BOARD ONLY
- 3090-B CS-29 1500 RPM (22 mm) GOVERNOR WITH RING

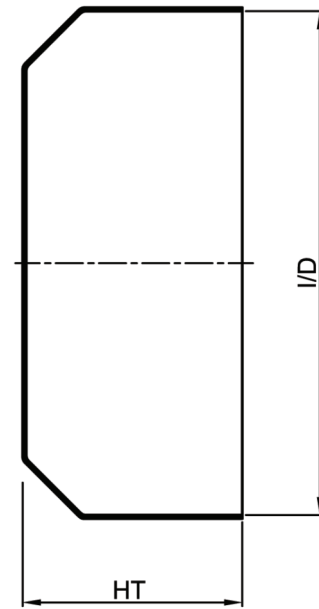
FOREMOST INDUSTRIAL PRODUCTS

M.S. Fan Covers



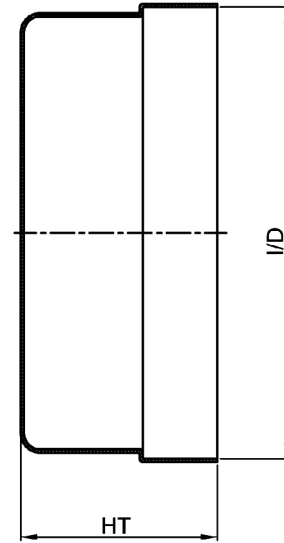
TAPER DESIGN

SR. NO.	I/D	H/T	REMARKS
4001	115	55	-
4004	135	70	-
4005	138	60	-
4008	158	75	-
4010	170	80	-
4012	177	85	-
4015	195	95	-
4018	206	90	-
4020	216	95	-
4023	222	95	-
4029	258	110	-
4034	305	135	-
4040	350	150	-
4041	362	155	-
4042	373	170	-
4043	400	175	-
4044	104	44	-
4045	318	135	-
4046	121	69	WITH SIDE HOLES
4047	137	77	WITH SIDE HOLES
4048	154	85	WITH SIDE HOLES
4049	175	93	WITH SIDE HOLES
4050	193	108	WITH SIDE HOLES
4051	216	115	WITH SIDE HOLES
4055	158	80	SQ VENTILATION WITH SIDE HOLES
4056	170	90	SQ VENTILATION WITH SIDE HOLES
4057	195	95	SQ VENTILATION WITH SIDE HOLES
4105	107	44	SQ VENTILATION WITH SIDE HOLES
4116	111	44	SQ VENTILATION WITH SIDE HOLES
4145	118	60	SQ VENTILATION WITH SIDE HOLES
4146	138	70	SQ VENTILATION WITH SIDE HOLES



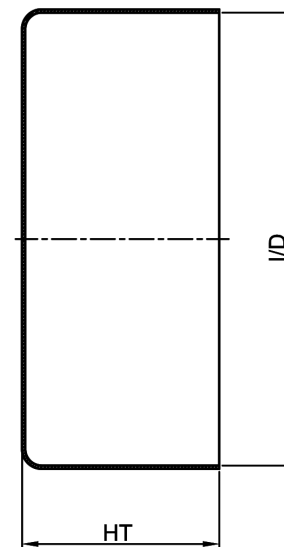
COLLAR DESIGN

SR. NO.	I / D	H T	REMARKS
4007	150	80	--
4011	175	80	--
4016	198	90	--
4017	206	90	--
4019	212	95	--
4021	215	95	FLATTEND WITH COLLAR
4022	222	95	--
4024	228	100	--
4026	238	105	--
4027	247	110	--
4028	255	110	--
4031	270	115	--
4033	287	125	--
4039	206	135	(BEACON TYPE)
4052	255	132	--



ROUND DESIGN (WITHOUT COLLAR)

SR. NO.	I / D	H T	REMARKS
4003	130	60	--
4009	162	70	--
4013	182	80	--
4025	235	100	--
4030	260	110	--
4032	278	110	--
4035	322	125	--
4036	328	135	--
4054	140	42	SQ VENTILATION WITH SIDE HOLES
4147	155	74	SQ VENTILATION WITH SIDE HOLES



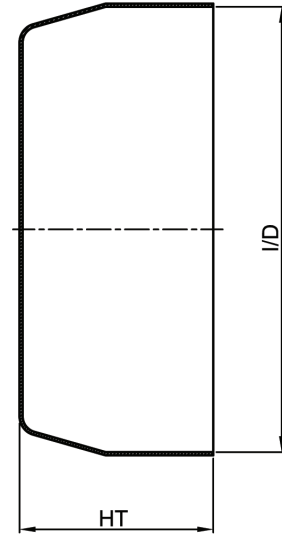
FOREMOST INDUSTRIAL PRODUCTS

M.S. Fan Covers



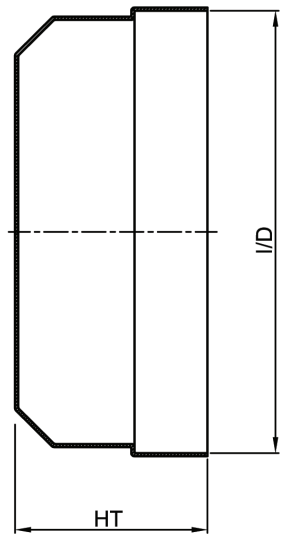
CAP DESIGN

SR. NO.	I / D	H T	REMARKS
4002	124	60	--
4006	140	60	--
4053	140	60	SQ VENTILATION WITH SIDE HOLES



TAPER & COLLAR DESIGN

SR. NO.	I / D	H T	REMARKS
4014	187	85	--



FOREMOST INDUSTRIAL PRODUCTS

Special M.S. Fan Covers




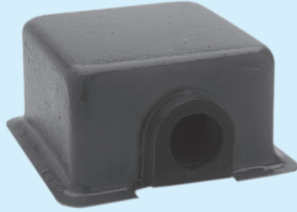
- 4072 FC 142 X 60 mm SUITABLE FOR LAXMI 71 FRAME (½ HP)
- 4073 FC 162 X 60 mm SUITABLE FOR LAXMI 80 FRAME (1 HP)
- 4074 FC 183 X 85 mm SUITABLE FOR LAXMI 90 FRAME (2 HP)
- 4075 FC 206 X 90 mm SUITABLE FOR LAXMI 100 FRAME (3 HP)
- 4076 FC 222 X 95 mm SUITABLE FOR LAXMI 112 FRAME (5 HP)
- 4077 FC 255 X 120 mm SUITABLE FOR LAXMI 132 FRAME (7.5-10 HP)
- 4078 FC 305 X 152 mm SUITABLE FOR LAXMI 160 FRAME (15-20 HP)
- 4079 FC 177 X 80 mm SUITABLE FOR ANSONS 90 FRAME (2 HP)
- 4080 FC 198 X 111 mm SUITABLE FOR ANSONS 100 FRAME (3 HP)
- 4081 FC 224 X 121 mm SUITABLE FOR ANSONS 112 FRAME (5 HP)
- 4082 FC 260 X 130 mm SUITABLE FOR ANSONS 132 FRAME (7.5-10 HP)
- 4083 FC 322 X 145 mm SUITABLE FOR ANSONS 160 FRAME (15-20 HP)
- * 4084 FC 222 X 95 mm SUITABLE FOR CROMPTON ND-112 FRAME (7.5-10 HP)
- 4085 FC 175 X 75 mm SUITABLE FOR CROMPTON 10-D (SINGLE PHASE)
- * 4086 FC 122 X 65 mm SUITABLE FOR CROMPTON 63 FRAME (¼ HP)
- * 4087 FC 138 X 65 mm SUITABLE FOR CROMPTON 71 FRAME (½ HP)
- 4088 FC 155 X 80 mm SUITABLE FOR CROMPTON 80 FRAME (1 HP)
- 4089 FC 122 X 65 mm SUITABLE FOR ABB 63 FRAME (¼ HP)
- 4090 FC 136 X 65 mm SUITABLE FOR ABB 71 FRAME (½ HP)
- 4091 FC 158 X 71 mm SUITABLE FOR ABB 80 FRAME (1 HP)
- 4092 FC 175 X 76 mm SUITABLE FOR ABB 90 FRAME (2 HP)
- 4093 FC 256 X 101 mm SUITABLE FOR ABB 132 FRAME (7.5-10 HP)
- 4094 FC 297 X 130 mm SUITABLE FOR ABB 160 FRAME (15-20 HP)
- 4095 FC 122 X 50 mm SUITABLE FOR BHARAT BIJLEE 63 FRAME (¼ HP)
- 4096 FC 137 X 52 mm SUITABLE FOR BHARAT BIJLEE 71 FRAME (½ HP)
- 4097 FC 155 X 58 mm SUITABLE FOR BHARAT BIJLEE 80 FRAME (1 HP)
- 4098 FC 172 X 87 mm SUITABLE FOR BHARAT BIJLEE 90 FRAME (2 HP)
- 4099 FC 193 X 90 mm SUITABLE FOR BHARAT BIJLEE 100 FRAME (3 HP)
- * 4100 FC 122 X 56 mm SUITABLE FOR SIEMENS 63 FRAME (¼ HP)
- * 4101 FC 139 X 70 mm SUITABLE FOR SIEMENS 71 FRAME (½ HP)
- * 4102 FC 156 X 77 mm SUITABLE FOR SIEMENS 80 FRAME (1 HP)
- * 4103 FC 177 X 90 mm SUITABLE FOR SIEMENS 90 FRAME (2 HP)
- * 4104 FC 196 X 95 mm SUITABLE FOR SIEMENS 100 FRAME (3 HP)
- 4106 FC 133 X 60 mm SUITABLE FOR KIRLOSKAR MONOBLOCK PUMP
- 4110 FC 193 X 100 mm SUITABLE FOR KIRLOSKAR 100 FRAME (3 HP)
- 4111 FC 215 X 100 mm SUITABLE FOR KIRLOSKAR 112 FRAME (5 HP)
- 4112 FC 256 X 115 mm SUITABLE FOR KIRLOSKAR 132 FRAME (7.5-10 HP)
- 4140 FC 217 X 95 mm SUITABLE FOR BHARAT BIJLEE 112 FRAME (5 HP)
- * 4154 FC 176 X 88 mm SUITABLE FOR CROMPTON ND-90 FRAME (2 HP)
- * 4155 FC 194 X 80 mm SUITABLE FOR CROMPTON ND-100 FRAME (3 HP)

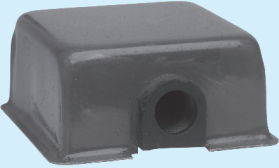
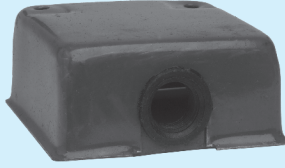
NOTE: ALL ITEMS MARKED WITH * ARE NOT AVAILABLE EX-STOCK & MINIMUM ORDER QTY. IS 100 NOS.



FOREMOST INDUSTRIAL PRODUCTS

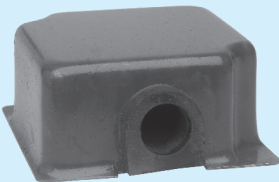



M.S. Terminal Boxes

				<p>MS TB 71 x 71 x 35 mm</p> <p>No. 4601</p>								<p>MS TB 87 x 87 x 40 mm</p> <p>No. 4602</p>			
DRG. NO.	L	B	H	DRG. NO.	L	B	H	DRG. NO.	L	B	H	DRG. NO.	L	B	H
4601	71	71	35	4602	87	87	40	4602	87	87	40	4602	87	87	40

				<p>MS TB 103 x 103 x 45 mm</p> <p>No. 4603</p>								<p>MS TB 90 x 90 x 40 mm (Ngef Type)</p> <p>No. 4605</p>			
DRG. NO.	L	B	H	DRG. NO.	L	B	H	DRG. NO.	L	B	H	DRG. NO.	L	B	H
4603	103	103	45	4605	90	90	40	4605	90	90	40	4605	90	90	40

				<p>MS TB 108 x 108 x 50 mm (Ngef Type)</p> <p>No. 4606</p>								<p>MS TB 71 x 71 x 40 mm (Batlibol Type)</p> <p>No. 4607</p>			
DRG. NO.	L	B	H	DRG. NO.	L	B	H	DRG. NO.	L	B	H	DRG. NO.	L	B	H
4606	108	108	50	4607	71	71	40	4607	71	71	40	4607	71	71	40

				<p>MS TB 90 x 90 x 47 mm (Laxmi Type 3 HP / Batiliboi Type)</p> <p>No. 4608</p>								<p>MS TB 71 x 86 x 40 mm (BBC Type 3 HP)</p> <p>No. 4609</p>			
DRG. NO.	L	B	H	DRG. NO.	L	B	H	DRG. NO.	L	B	H	DRG. NO.	L	B	H
4608	90	90	47	4609	71	86	40	4609	71	86	40	4609	71	86	40

FOREMOST INDUSTRIAL PRODUCTS




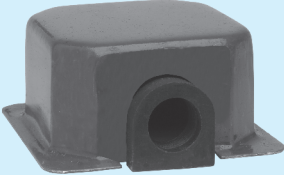
M.S. Terminal Boxes


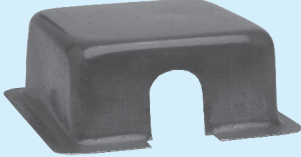
				<p>MS TB 103 x 115 x 45 mm (BBC Type 7.5-10 HP)</p> <p>No. 4610</p>								<p>MS TB 103 x 103 x 49.5 mm (Taper Design)</p> <p>No. 4611</p>			
DRG. NO.	L	B	H	DRG. NO.	L	B	H	DRG. NO.	L	B	H	DRG. NO.	L	B	H
4610	103	115	45	4611	103	103	49.5	4611	103	103	49.5	4611	103	103	49.5
				<p>MS TB 87 x 103.5 x 42 mm</p> <p>No. 4612</p>								<p>MS TB Medium Size 105 x 110 mm (2 Piece)</p> <p>No. 4614</p>			
DRG. NO.	L	B	H	DRG. NO.	L	B	H	DRG. NO.	L	B	H	DRG. NO.	L	B	H
4612	87	103.5	42	4614	145	127	65	4614	145	127	65	4614	145	127	65
				<p>MS TB Big Size 115 x 110 mm (2 Piece)</p> <p>No. 4615</p>								<p>MS TB Beacon Type</p> <p>No. 4616</p>			
DRG. NO.	L	B	H	DRG. NO.	L	B	H	DRG. NO.	L	B	H	DRG. NO.	L	B	H
4615	140	130	75	4616	127	96	43	4616	127	96	43	4616	127	96	43
				<p>MS TB Crompton Type Single Phase</p> <p>No. 4617</p>								<p>MS TB 71 x 71 x 40 mm (Taper Design)</p> <p>No. 4618</p>			
DRG. NO.	L	B	H	DRG. NO.	L	B	H	DRG. NO.	L	B	H	DRG. NO.	L	B	H
4617	72	60	41	4618	71	71	40	4618	71	71	40	4618	71	71	40

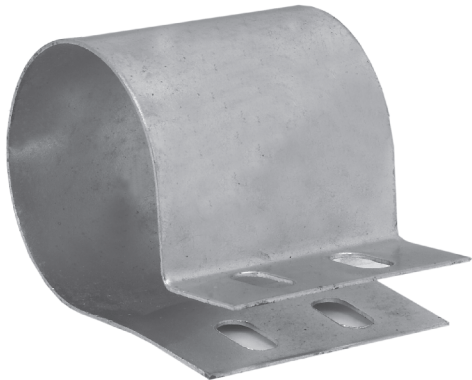
FOREMOST INDUSTRIAL PRODUCTS



M.S. Terminal Boxes

				<p>MS TB 80 x 80 x 40 mm</p> <p>No. 4619</p>								<p>MS TB 87 x 87 x 40 mm (Taper Design)</p> <p>No. 4620</p>			
DRG. NO.	L	B	H	DRG. NO.	L	B	H	DRG. NO.	L	B	H	DRG. NO.	L	B	H
4619	80	80	40	4620	87	87	40	4620	87	87	40	4620	87	87	40


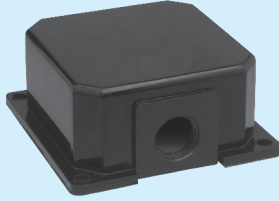
				<p>MS TB 87 x 96 x 40 mm (BBC Type 5 HP)</p> <p>No. 4623</p>								<p>MS TB 120 x 120 x 50 mm</p> <p>No. 4624</p>			
DRG. NO.	L	B	H	DRG. NO.	L	B	H	DRG. NO.	L	B	H	DRG. NO.	L	B	H
4623	87	96	40	4624	120	120	50	4624	120	120	50	4624	120	120	50

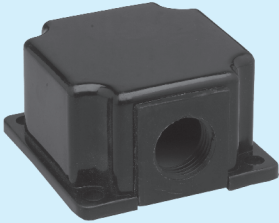

				<h3><u>M.S. CONDENSOR CLAMPS</u></h3>			
No. 4901	M.S.C.C.	38 mm		No. 4902	M.S.C.C.	40 mm	
No. 4903	M.S.C.C.	45 mm		No. 4904	M.S.C.C.	50 mm	
No. 4905	M.S.C.C.	55 mm		No. 4906	M.S.C.C.	35 mm	

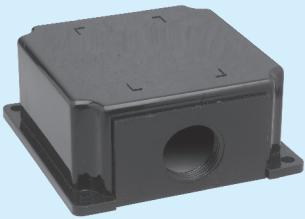
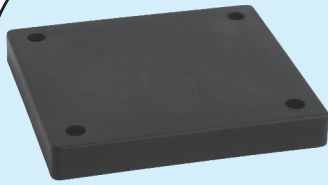
FOREMOST INDUSTRIAL PRODUCTS

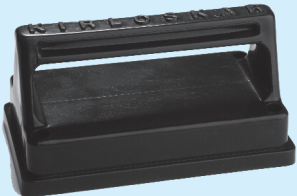

Plastic Terminal Boxes



		Plastic Terminal Box PB 72 x 72 x 41 mm					Plastic Terminal Box PB 92 x 92 x 41 mm		
		No. 551					No. 552		
DRG. NO.	L	B	H	CTC	DRG. NO.	L	B	H	CTC
551	72	72	41	61	552	92	92	41	80

		Plastic Terminal Box PB 62 x 62 x 35 mm					Plastic Terminal Box PB 85 x 85 x 41 mm		
		No. 553					No. 554		
DRG. NO.	L	B	H	CTC	DRG. NO.	L	B	H	CTC
553	62	62	35	50	554	85	85	41	73

		Plastic Terminal Box PB 102 x 102 x 43 mm					Plastic Terminal Cover 79.5 x 72.5			
		No. 555					No. 561			
DRG. NO.	L	B	H	CTC	DRG. NO.	L	B	H	CTC 1	CTC 2
555	102	102	43	90	561	79.5	72.5	15	63.5	56.5

		Plastic Terminal Box+ Handle suitable for Kirloskar Wonder Pump					Plastic Terminal Box 100 x 57.5				
		No. 562					No. 564				
DRG. NO.	L	B	H	CTC 1	CTC 2	DRG. NO.	L	B	H	CTC 1	CTC 2
562	100	57.5	50	84	42	564	100	57.5	35	84	42

FOREMOST INDUSTRIAL PRODUCTS



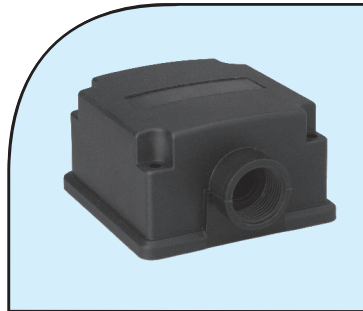
Plastic Terminal Boxes



**Plastic Terminal Box
Crompton Single Phase
10-D with Cover**

No. 565 - A

DRG. NO.	L	B	H	CTC
565 - A	67	59	34	45



**Plastic Terminal Box
76 x 76 x 43**

No. 566 - B

DRG. NO.	L	B	H	CTC
566 - B	76	76	43	61



Nozzle

No. 6301



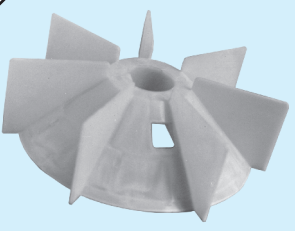
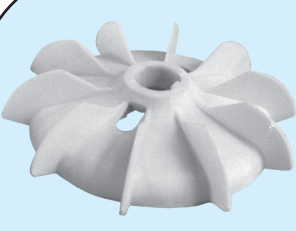
Venturi Tube

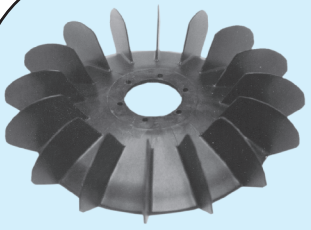

No. 6302


FOREMOST INDUSTRIAL PRODUCTS

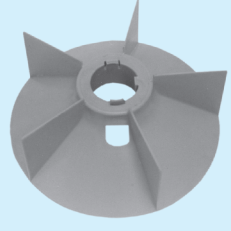
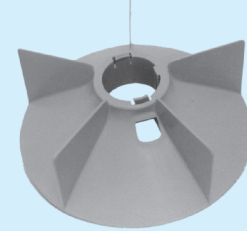
Special Plastic Fans



		<p>Plastic Fan suitable for Crompton ND-180 frame (GRP)(30-40 HP)</p> <p>No.1901</p>				<p>Plastic Fan suitable for Crompton ND-160 frame (GRP)(15-20 HP)</p> <p>No.1902</p>	
OD	BORE	H		OD	BORE	H	
260	48	80		280	42	60	

		<p>Plastic Fan suitable for Kirloskar LD-200 frame (40 HP)</p> <p>No.1903</p>				<p>Plastic Fan suitable for Kirloskar LD-225 (50-60 HP)</p> <p>No.1907</p>	
OD	BORE	H		OD	BORE	H	
364	67	82		418	72	83	

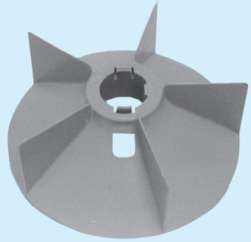
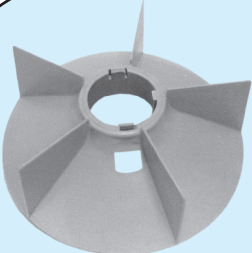
		<p>Plastic Fan suitable for Kirloskar LC-180</p> <p>No.1908</p>				<p>Plastic Fan suitable for Kirloskar LC-200</p> <p>No.1909</p>	
OD	BORE	H		OD	BORE	H	
306	72.2	50		350	84	55	

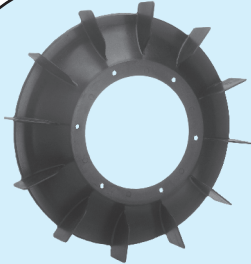

		<p>Plastic Fan suitable for Siemens 180 New (5 Blades) (30 HP)</p> <p>No.1910</p>				<p>Plastic Fan suitable for Siemens 200 New (5 Blades) (40 HP)</p> <p>No.1911</p>	
OD	BORE	H		OD	BORE	H	
250	49	92		250	59	92	


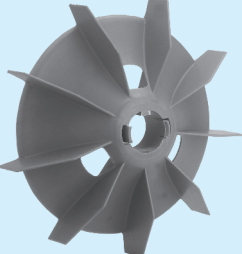
FOREMOST INDUSTRIAL PRODUCTS

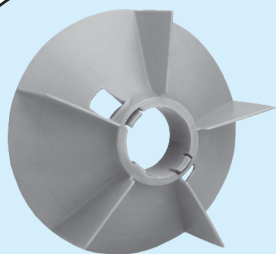
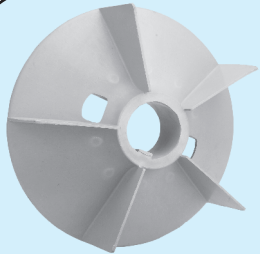
Special Plastic Fans



			<p>Plastic Fan suitable for Siemens 225 New (5 Blades) (50-60 HP)</p> <p>No.1912</p>						<p>Plastic Fan suitable for Siemens 250 New (5 Blades) (75 HP)</p> <p>No.1913</p>		
OD	BORE	H	OD	BORE	H	OD	BORE	H	OD	BORE	H
280	59	102.5	280	59	102.5	280	74	102.5	280	74	102.5

			<p>Plastic Fan suitable for Kirloskar CM-180 frame</p> <p>No.1914</p>						<p>Plastic Fan suitable for Kirloskar CM-200 frame</p> <p>No.1915</p>		
OD	BORE	H	OD	BORE	H	OD	BORE	H	OD	BORE	H
315	135	45	315	135	45	357	90	78	357	90	78

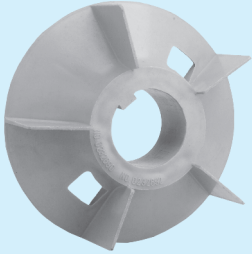
			<p>Plastic Fan suitable for Kirloskar CM-225 frame</p> <p>No.1916</p>						<p>Plastic Fan suitable for ABB 160 frame 4 Pole (15-20 HP)</p> <p>No.1918</p>		
OD	BORE	H	OD	BORE	H	OD	BORE	H	OD	BORE	H
401	100	73	401	100	73	246	38	57.5	246	38	57.5

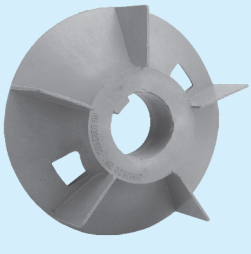
			<p>Plastic Fan suitable for Siemens New (5 Blades)</p> <p>No.1920</p>						<p>Plastic Fan suitable for Siemens New (5 Blades)</p> <p>No.1921</p>		
OD	BORE	H	OD	BORE	H	OD	BORE	H	OD	BORE	H
225	59	82	225	59	82	200	44	72	200	44	72

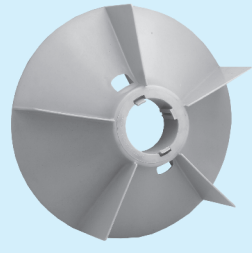
FOREMOST INDUSTRIAL PRODUCTS

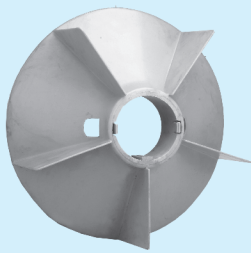
Special Plastic Fans




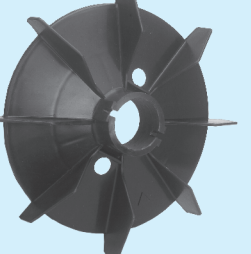
			<p>Plastic Fan suitable for Siemens New (5 Blades)</p> <p>No.1922</p>
OD	BORE	H	
160	48	60	

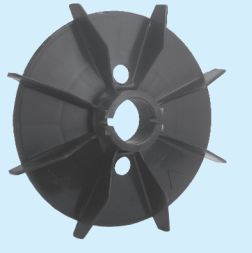
			<p>Plastic Fan suitable for Siemens New (5 Blades)</p> <p>No.1923</p>
OD	BORE	H	
160	44	60	

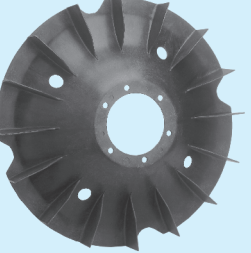
			<p>Plastic Fan suitable for Siemens New (5 Blades)</p> <p>No.1924</p>
OD	BORE	H	
350	79	127	

			<p>Plastic Fan suitable for Siemens New (5 Blades)</p> <p>No.1925</p>
OD	BORE	H	
350	92	127	

			<p>Plastic Fan suitable for Hindustan 90 frame (2 HP)</p> <p>No.1926</p>
OD	BORE	H	
155	25	34	

			<p>Plastic Fan suitable for Kirloskar 160 2 Pole</p> <p>No.1927</p>
OD	BORE	H	
242	43	50	

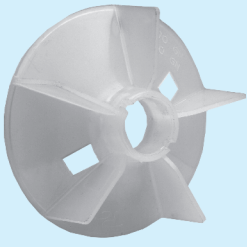
			<p>Plastic Fan suitable for Kirloskar 100 2 Pole</p> <p>No.1928</p>
OD	BORE	H	
161	28	33	

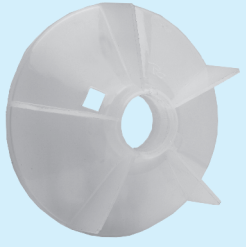
			<p>Plastic Fan suitable for Kirloskar LC-225</p> <p>No.1929</p>
OD	BORE	H	
410	92	78	

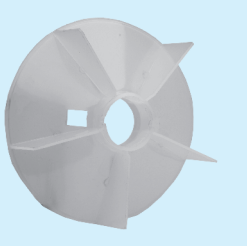
FOREMOST INDUSTRIAL PRODUCTS

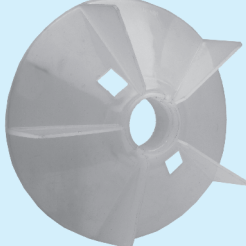
Special Plastic Fans

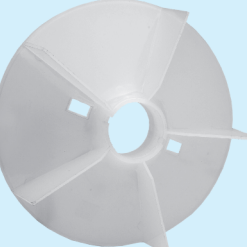


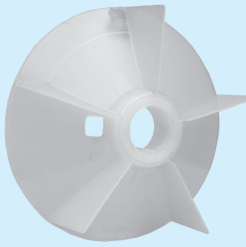
				<p>Plastic Fan suitable for Siemens GN-80/90 New (5 Blades)</p> <p>No.1930/1931</p>			
Sir. No.	OD	BORE		H			
1930	110	20		39.5			
1931	110	25		39.5			

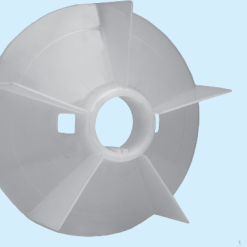
			<p>Plastic Fan suitable for Siemens GN-100 New (5 Blades)</p> <p>No.1932</p>		
OD		BORE		H	
128		30		38.5	

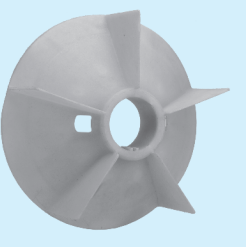
				<p>Plastic Fan suitable for Siemens GN-112 New (5 Blades)</p> <p>No.1933</p>			
OD		BORE		H			
146		30		47.5			

			<p>Plastic Fan suitable for Siemens GN-132 New (5 Blades)</p> <p>No.1934</p>		
OD		BORE		H	
172		39		54.5	

				<p>Plastic Fan suitable for Siemens GN-160 New (5 Blades)</p> <p>No.1935</p>			
OD		BORE		H			
205		44		69.5			

			<p>Plastic Fan suitable for Siemens GN-180 New (5 Blades)</p> <p>No.1936</p>		
OD		BORE		H	
252		49		92	

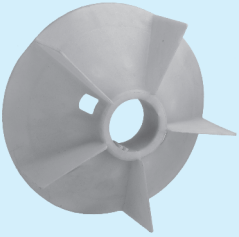
				<p>Plastic Fan suitable for Siemens GN-200 New (5 Blades)</p> <p>No.1937</p>			
OD		BORE		H			
252		58		92			

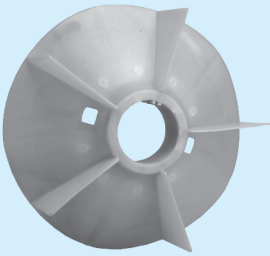
			<p>Plastic Fan suitable for Siemens GN-225 New (5 Blades)</p> <p>No.1938</p>		
OD		BORE		H	
285		62		104.5	

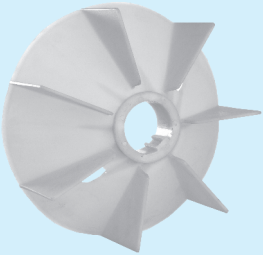
FOREMOST INDUSTRIAL PRODUCTS

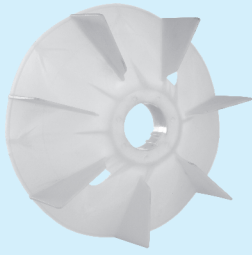
Special Plastic Fans

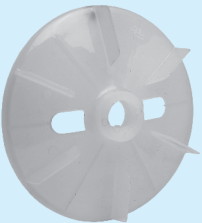



			<p>Plastic Fan suitable for Siemens GN-250 New (5 Blades)</p> <p>No. 1939</p>
OD	BORE	H	
285	68	104.5	

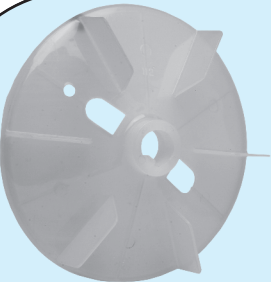
			<p>Plastic Fan suitable for Siemens GN-280/315 New (5 Blades)</p> <p>No. 1940 / 1941</p>
OD	BORE	H	
330	82	120	

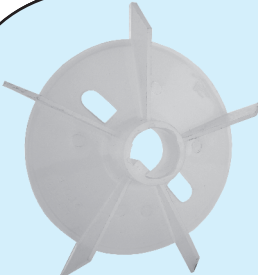
			<p>Plastic Fan suitable for Crompton ND-200</p> <p>No. 1949</p>
OD	BORE	H	
258	55	101	

			<p>Plastic Fan suitable for Crompton ND-225</p> <p>No. 1950</p>
OD	BORE	H	
310	60	105	

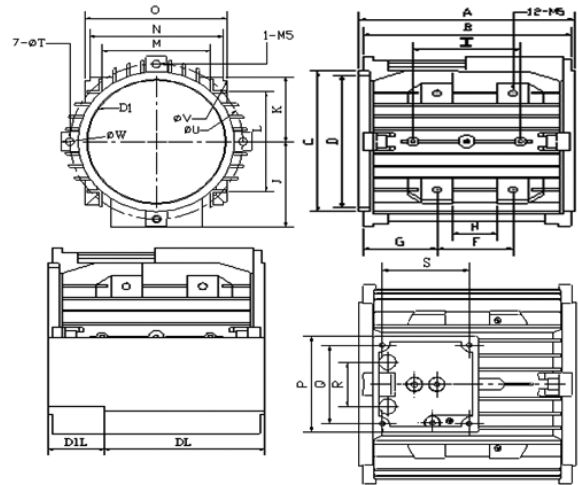
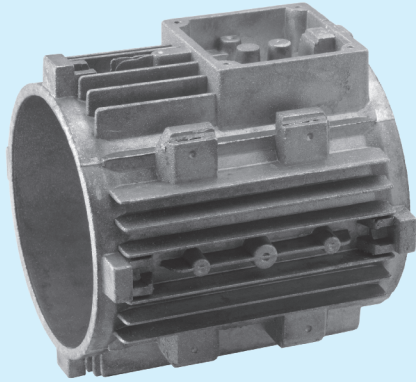
			<p>Plastic Fan suitable for Crompton AD-90 (new)</p> <p>No. 1951</p>
OD	BORE	H	
150	24.5	35	

			<p>Plastic Fan suitable for Crompton AD-100 (new)</p> <p>No. 1952</p>
OD	BORE	H	
165	24.5	36	

			<p>Plastic Fan suitable for Crompton AD-112 (new)</p> <p>No. 1953</p>
OD	BORE	H	
190	24.5	47	

			<p>Plastic Fan suitable for Crompton AD-132 new 2 POLE</p> <p>No. 1954</p>
OD	BORE	H	
145	24.5	40	

ALUMINIUM MOTOR BODY

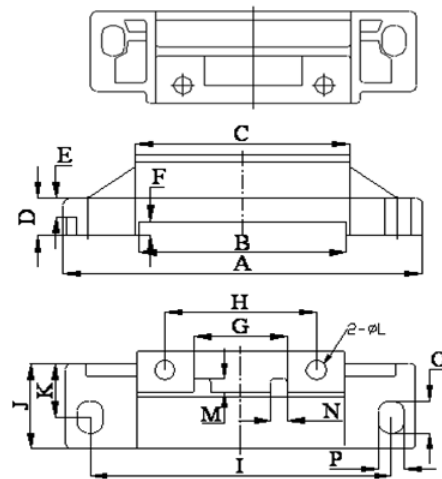
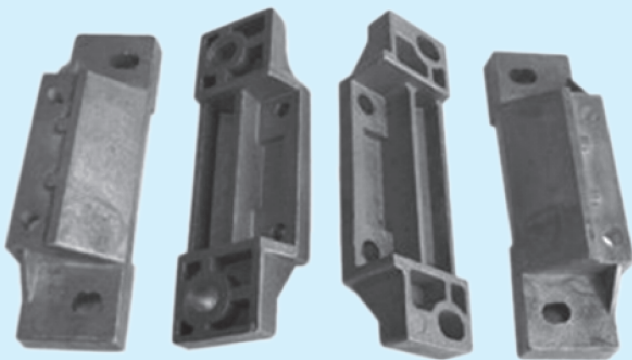


DIMENSIONAL DETAILS FOR MOTOR MACHINED BOX (MATERIAL GRADE : LM2)

FRAME	A	B	C	D	DL	D1	D1L	F	G	H	I	J	K	L	M	N	O	P	Q	R	S	T	U	V	W
63	112	108	90	87	89	85	23	40	36	22	60	58	40	68	60	80	90	66	54	30	54	6	106	120	117
71	133	128	110	105	100	103	33	50	42	28	56	68	52	85	82	95.5	102	66	54	30	54	6	124	139	137
80	146	140	130	126		126		48	43	25	65	80.5	60	93	93	108	124	82	64	32	64	6	142	163	153
TOLERANCE	±0.1	±0.1	±0.2	±0.1	±0.1	±0.1	±0.1	±0.2	±0.2										±0.2	±0.2	±0.2				

NOTE-ALL THE UNSPECIFIED DIMENSIONS ARE HAVING TOLERANCE OF ±0.1MM.

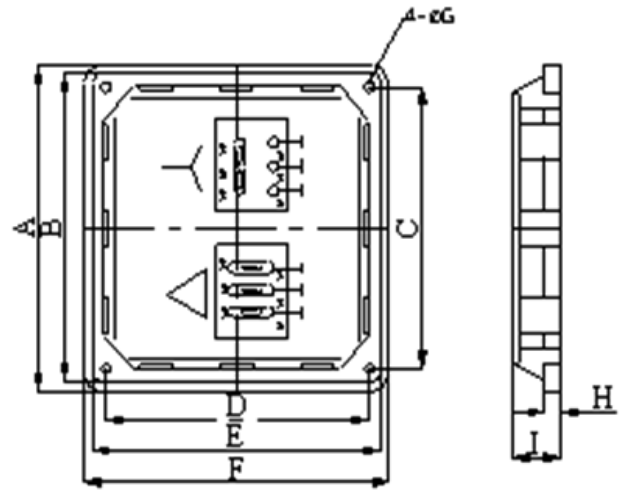
ALUMINIUM MOTOR FOOT



DIMENSIONAL DETAILS FOR MOTOR FOOT (MATERIAL GRADE : LM2)

FRAME	A	B	C	D	E	F	G	H	I	J	K	L	M	N	O	P
63	103	51	58	9	2.5	3	22	40	80	28	18	5	3	4	9	6.5
71	104	61	68	10	3	3	28	49	90	28	15	5	3	5	9	6.5
80	130	60	67	11	9	4	24.5	49	100	35	18	6.5	4	4	14	11
TOLERANCE								±0.1	±0.1							

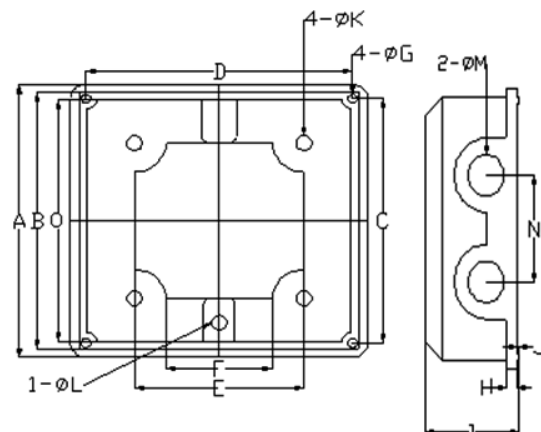
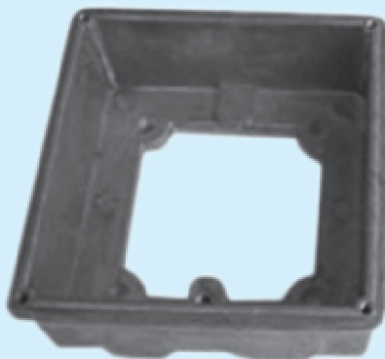
ALUMINIUM MOTOR COVER



DIMENSIONAL DETAILS FOR MOTOR COVER (MATERIAL GRADE : LM2)

FRAME	A	B	C	D	E	F	G	H	I
63	94	89	85	85	89	94	4	5.5	16
71	94	89	85	85	89	94	4	5.5	16
80	94	90	85	85	91	94	5	5	10
TOLERANCE			±0.1	±0.1					

ALUMINIUM MOTOR BOX



DIMENSIONAL DETAILS FOR MOTOR BOX (MATERIAL GRADE : LM2)

FRAME	A	B	C	D	E	F	G	H	I	J	K	L	M	N	O
63	94	89	85	85	54	38	3	4	37	1	5	5	14	36	84
71	94	89	85	85	54	38	3	4	37	1	5	5	14	36	84
80	94	90	85	85	65	52	4	3	37	2	6	6	18	40	86
TOLERANCE			±0.1	±0.1											